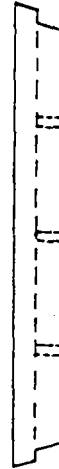
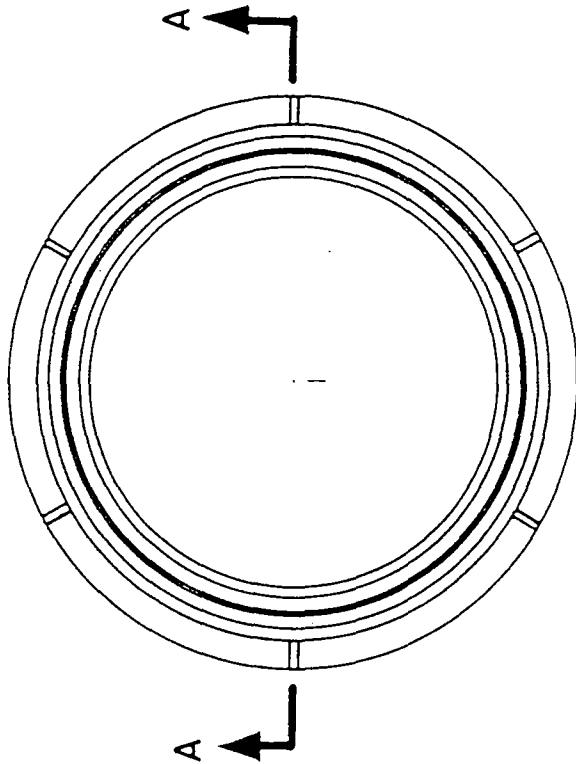


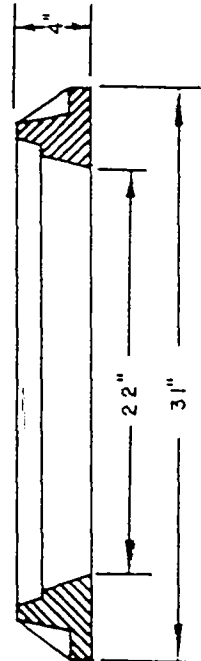
COVER



SECTION B—B



FRAME



SECTION A—A

NOTES:

1. Weight of Frame and Cover shall be 300 lbs. min.
2. Bearing Surfaces shall be Machined and the Cover shall set firmly into the Frame without rocking.

CITY OF COLTON
PUBLIC WORKS DEPT.

TRAFFIC TYPE MANHOLE
FRAME AND COVER

DRAWN BY
T. FARKAS

SCALE $\frac{3}{32}'' = 1''$

DRAWING
NO.

CHK'D *DAB*

DATE
OCTOBER 1963

309

APP'D *G. E. H. Wilson*