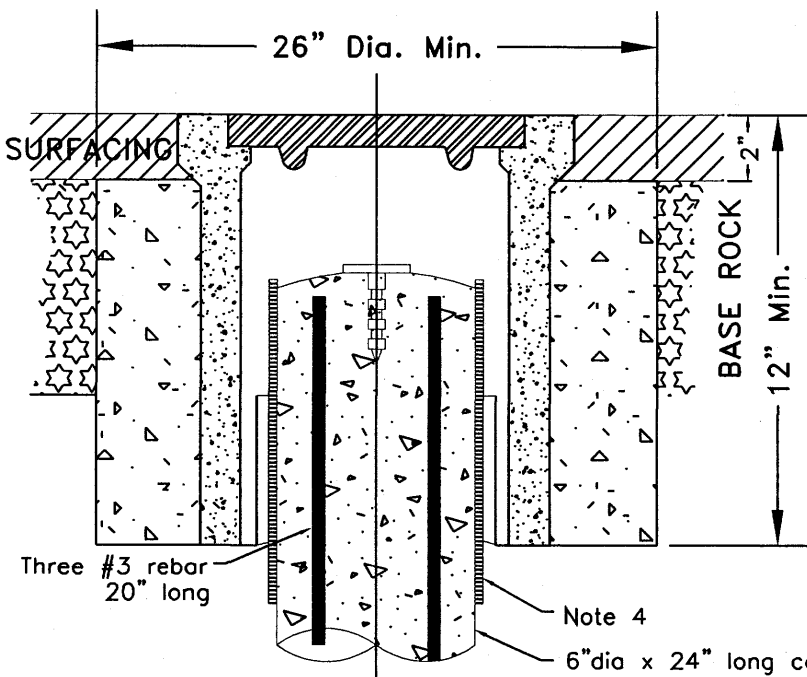


SECTION A-A

NOTES:

1. Box shall be a G5 Traffic Valve box 10-3/8" I.D. x 12" and Lid shall have the word "MONUMENT" marked on it.
2. Class 2 concrete or better, poured in place.
3. Solid brass monument marker with 2" dia. cap and 2 3/4" shank; Lietz No. 526 or approved equal. Top of monument to be 4" maximum below street surface. For marking, see Note 5 (Surveyor's Note).
4. Concrete monument shall be constructed using form for upper portion so that concrete in monument does not bond to frame or concrete in which frame is set.
5. Surveyor's Note
Exact point to be determined by accurate survey and clearly punched in top of brass marker together with Engineer's/Surveyor's registration number.



Three #3 rebar 20" long

Note 4

6" dia x 24" long concrete monument (Note 2)

Rev	By	Date
0	DWH	12/14/92
1	HQN	10/16/06

Survey Monument Frame, Cover, Installation

Approved by:

 PE No. 35411
 Date 5/14/07

Scale: NTS

City of Palo Alto Standard

Dwg No. 602