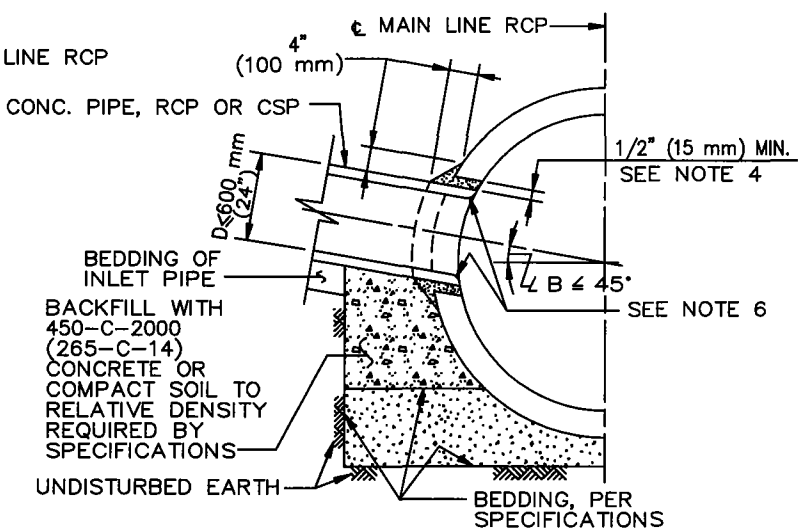
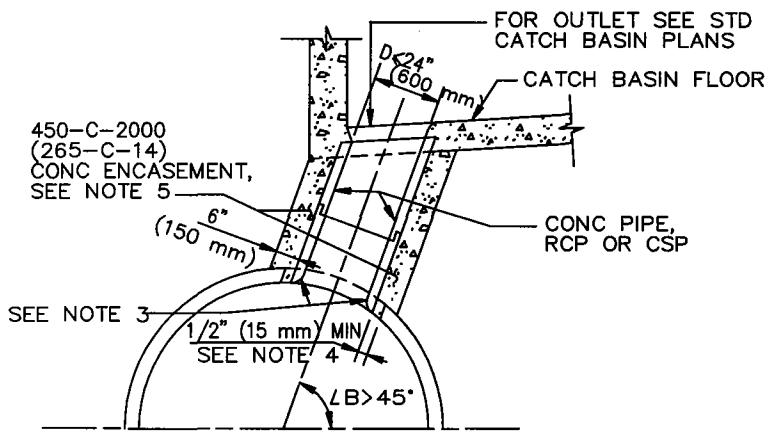


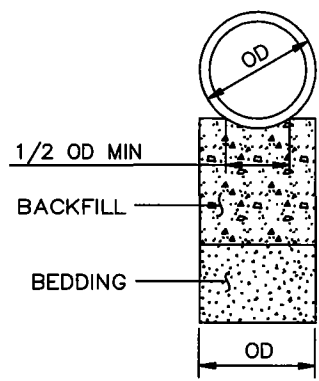
CASE 1  
PLAN



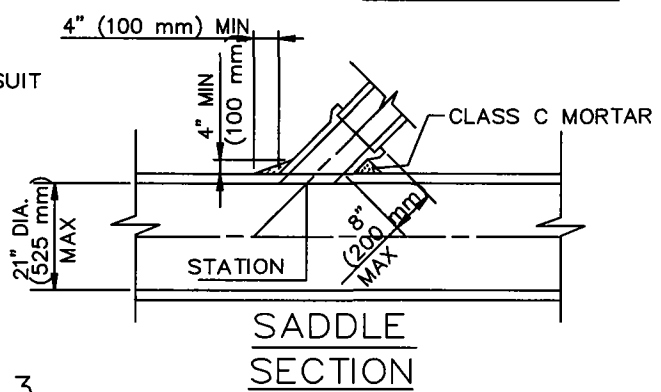
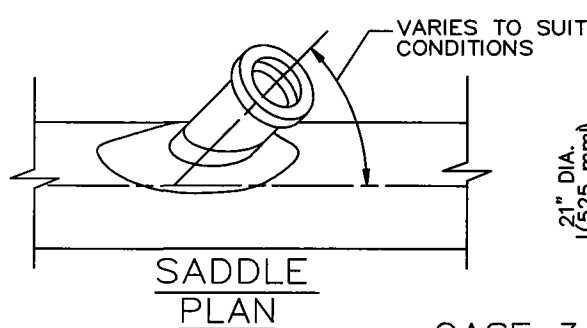
CASE 1  
SECTION B-B



CASE 2  
(SEE NOTES 9 & 10)



CASE 1  
SECTION C-C



CASE 3  
SADDLE CONNECTION

STANDARD PLANS FOR PUBLIC WORKS CONSTRUCTION

PROMULGATED BY THE  
PUBLIC WORKS STANDARDS INC.  
GREENBOOK COMMITTEE  
1984  
REV. 1996, 2009

**JUNCTION STRUCTURE - PIPE TO PIPE**  
**(ID ≤ 24" (600 mm))**

USE WITH STANDARD SPECIFICATIONS FOR PUBLIC WORKS CONSTRUCTION

STANDARD PLAN  
**332-2**  
SHEET 1 OF 2