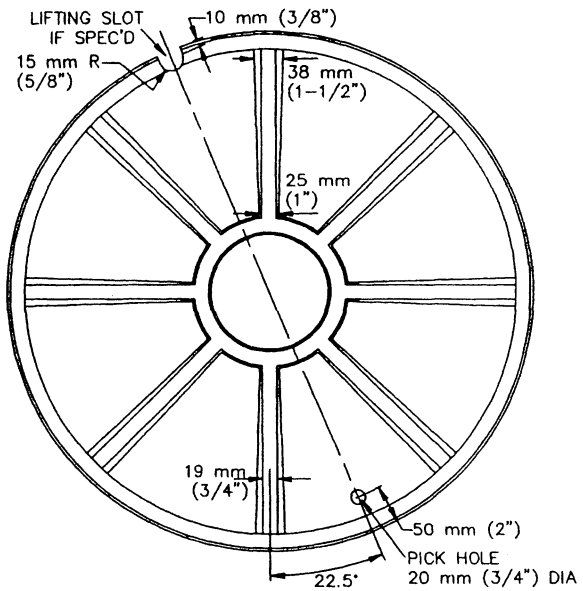
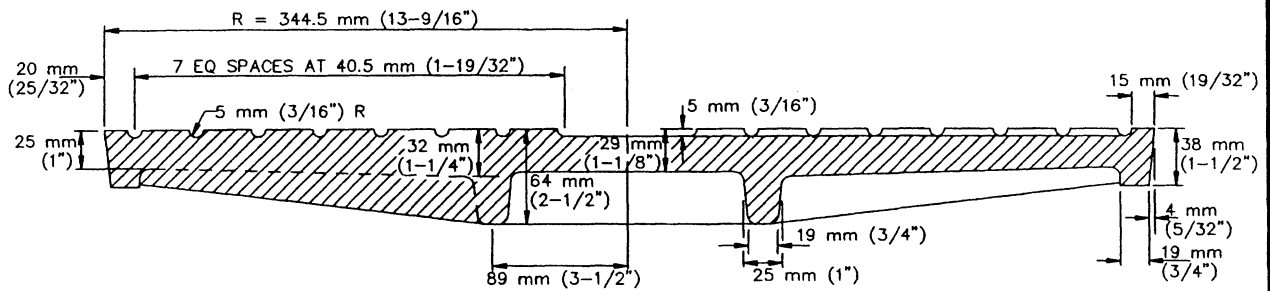


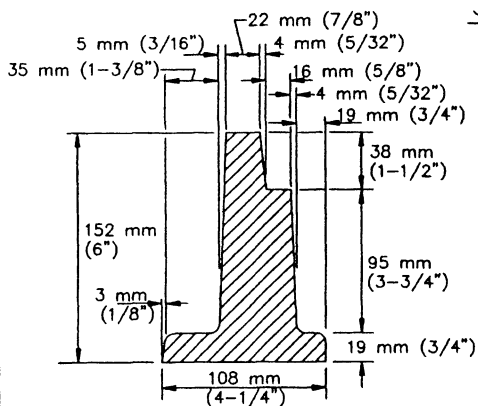
TOP OF COVER



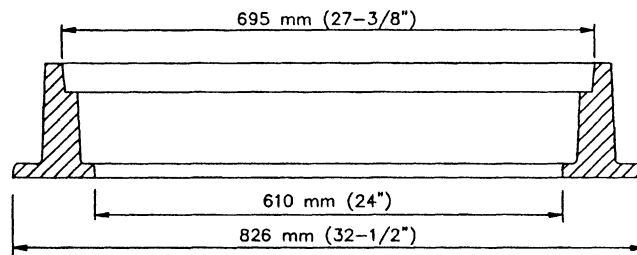
BOTTOM OF COVER



SECTION A-A



FRAME DETAIL



SECTION THRU FRAME

STANDARD PLANS FOR PUBLIC WORKS CONSTRUCTION

PROMULGATED BY THE
PUBLIC WORKS STANDARDS INC.
GREENBOOK COMMITTEE
1984
REV. 1996

**610 mm (24") MANHOLE FRAME
AND COVER**

USE WITH STANDARD SPECIFICATIONS FOR PUBLIC WORKS CONSTRUCTION

STANDARD PLAN
METRIC
630-2

SHEET 1 OF 2

NOTES:

1. THE CAST IRON USED SHALL CONFORM TO ASTM A-48 CLASS 35B.
2. COVERS SHALL BE CAST WITH THE LETTER "D" FOR STORM DRAINS AND "S" FOR SEWERS, AND THE AGENCY'S IDENTIFICATION IN ACCORDANCE WITH INSTRUCTIONS FURNISHED BY THE AGENCY. THE LETTER "D" OR "S" SHALL BE APPROXIMATELY 65 mm (2-1/2") HIGH WITH 15 mm (1/2") LINE WIDTH, AND PLACED IN THE CENTER OF THE COVER. ALL LETTERS SHALL BE FLUSH WITH THE FINISHED SURFACE OF THE COVER.
3. FOUNDRY IDENTIFYING MARK, HEAT AND DATE SHALL BE CAST ON THE BOTTOM OF THE COVER AND ON THE INSIDE OF THE FRAME.
4. IMPORTED COVERS AND FRAMES SHALL HAVE THE COUNTRY OF ORIGIN MARKING IN COMPLIANCE WITH FEDERAL REGULATIONS.
5. WEIGHT OF FRAME SHALL BE 118 kg (260 LBS). WEIGHT OF COVER SHALL BE 79 kg (175 LBS). ACTUAL WEIGHTS SHALL BE WITHIN A RANGE OF 95% TO 110%.
6. THE MANHOLE FRAME AND COVER SHALL BE INSPECTED BY THE ENGINEER PRIOR TO SHIPMENT TO THE JOB SITE. ACCEPTANCE WILL BE INDICATED BY THE AGENCY'S MARK.
7. THE PROOF-LOAD FOR TEST METHOD B OF SSPWC 206-3.2 IS 180 kN (40,700 LBS).
8. COVERS FOR MANHOLES LOCATED IN EASEMENTS, ALLEYS, PARKWAYS AND ALL PLACES OTHER THAN PAVED STREETS SHALL BE PROVIDED WITH SOCKET-SET SCREW LOCKING DEVICES. DRILL AND TAP TWO HOLES TO A DEPTH OF 25 mm (1") AT 90 DEGREES TO PICK HOLE AND INSTALL 20 mm x 20 mm (3/4" x 3/4") STAINLESS STEEL SOCKET-SET SCREWS WITH 10 mm (3/8") RECESSED HEX HEAD. ALL THREADS SHALL BE N.C.

STANDARD PLANS FOR PUBLIC WORKS CONSTRUCTION

610 mm (24") MANHOLE FRAME & COVER

STANDARD PLAN
METRIC

630-2

SHEET 2 OF 2