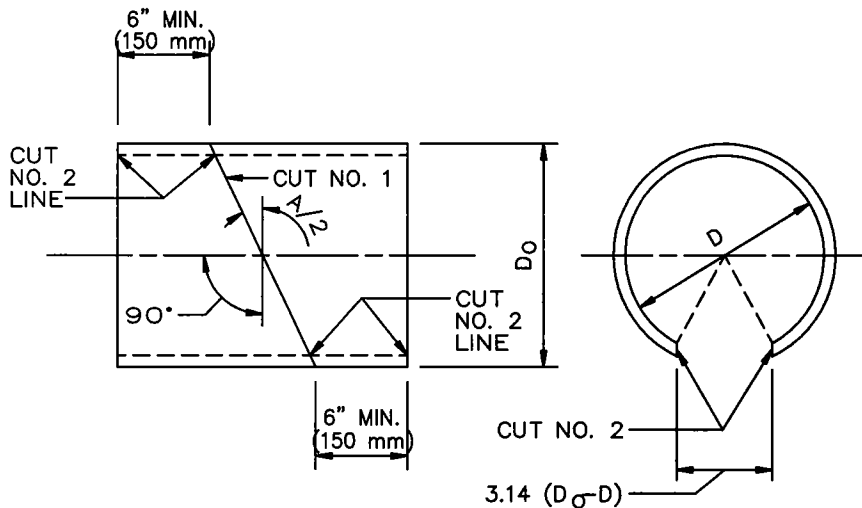
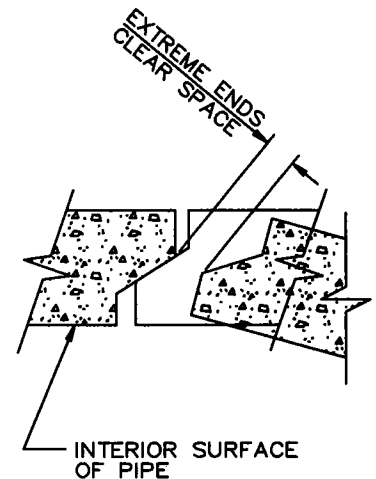


D	L	T
12" (300 mm)	12" (300 mm)	4" (100 mm)
18" (450 mm)	12" (300 mm)	5" (125 mm)
24" (600 mm)	12" (300 mm)	6" (150 mm)
30" (750 mm)	18" (450 mm)	7" (175 mm)
36" (900 mm)	18" (450 mm)	9" (225 mm)
42" (1050 mm)	18" (450 mm)	9" (225 mm)
48" (1200 mm)	18" (450 mm)	10" (250 mm)
57" (1425 mm)	18" (450 mm)	10" (250 mm)
60" (1500 mm)	21" (525 mm)	11" (275 mm)
66" (1650 mm)	21" (525 mm)	11" (275 mm)
72" (1800 mm)	24" (600 mm)	12" (300 mm)



DETAIL "A" (SEE NOTE 10)
SONO-TUBE, OR EQUAL, INTERIOR FORM



DETAIL "B"
TYPICAL JOINT FOR REINFORCED CONCRETE PIPE

CUT NO. 1: SAW THE TUBE AT AN ANGLE OF A/2 WITH THE TRANSVERSE PLANE. REVERSE ONE SECTION AND TAPE BOTH SECTIONS TOGETHER FORMING THE DEFLECTION ANGLE A.
CUT NO. 2: SAW THE TUBE LONGITUDINALLY REMOVING A STRIP 3.14 (D₀ - D) WIDE ON THE SIDE OPPOSITE THE OPEN JOINT. BEND THE ENDS OF THE CUT TOGETHER AND INSERT THE TUBE IN THE PIPE.

STANDARD PLANS FOR PUBLIC WORKS CONSTRUCTION

PROMULGATED BY THE
PUBLIC WORKS STANDARDS INC.
GREENBOOK COMMITTEE
1992
REV. 1996, 1997, 1999, 2009

CONCRETE COLLAR FOR RCP
12" (300 mm) THROUGH 72" (1800 mm)

STANDARD PLAN

380-4

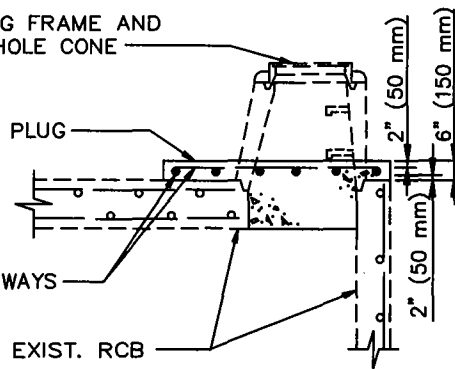
USE WITH STANDARD SPECIFICATIONS FOR PUBLIC WORKS CONSTRUCTION

SHEET 1 OF 2

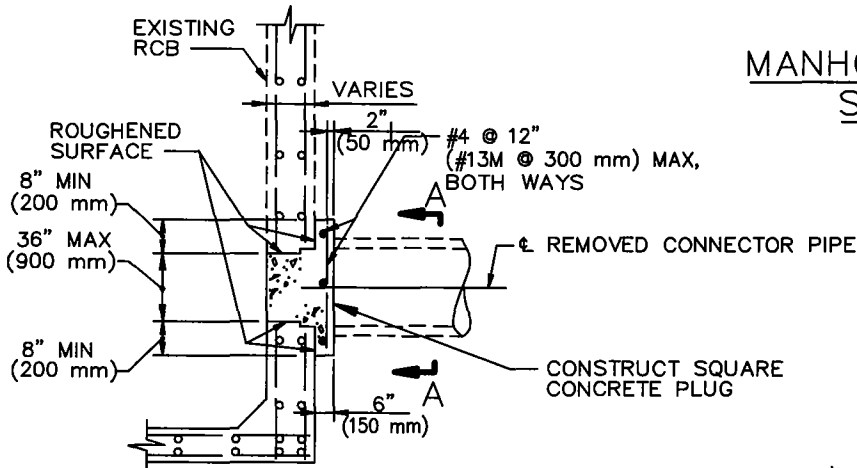
SALVAGE EXISTING FRAME AND COVER AND MANHOLE CONE

CONSTRUCT 6'x6' (2 m x 2 m) SQUARE PLUG

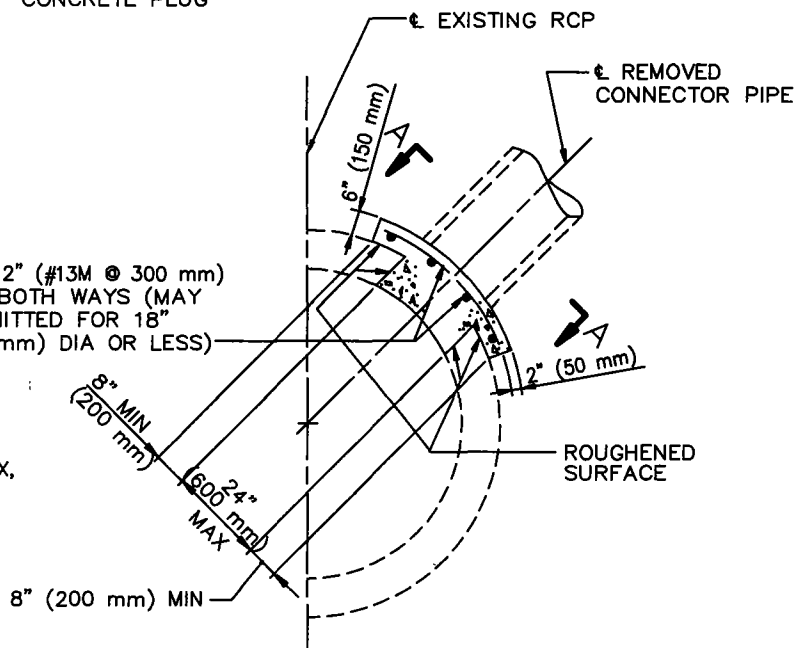
#4 @ 12" (#13M @ 300 mm), BOTH WAYS



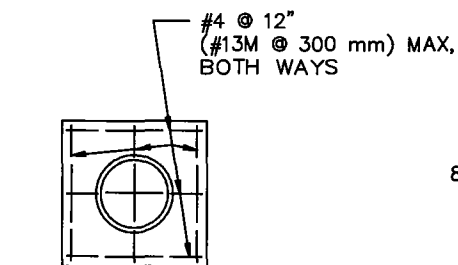
MANHOLE ABANDONMENT SEAL FOR RCB



ABANDONMENT SEAL FOR RCB INLET



ABANDONMENT SEAL FOR RCP INLET



SECTION A-A

STANDARD PLANS FOR PUBLIC WORKS CONSTRUCTION

PROMULGATED BY THE
PUBLIC WORKS STANDARDS INC.
GREENBOOK COMMITTEE
1984
REV. 1996, 2009

**ABANDONMENT SEALS
FOR MANHOLES AND INLETS**

USE WITH STANDARD SPECIFICATIONS FOR PUBLIC WORKS CONSTRUCTION

STANDARD PLAN

381-2

SHEET 1 OF 1