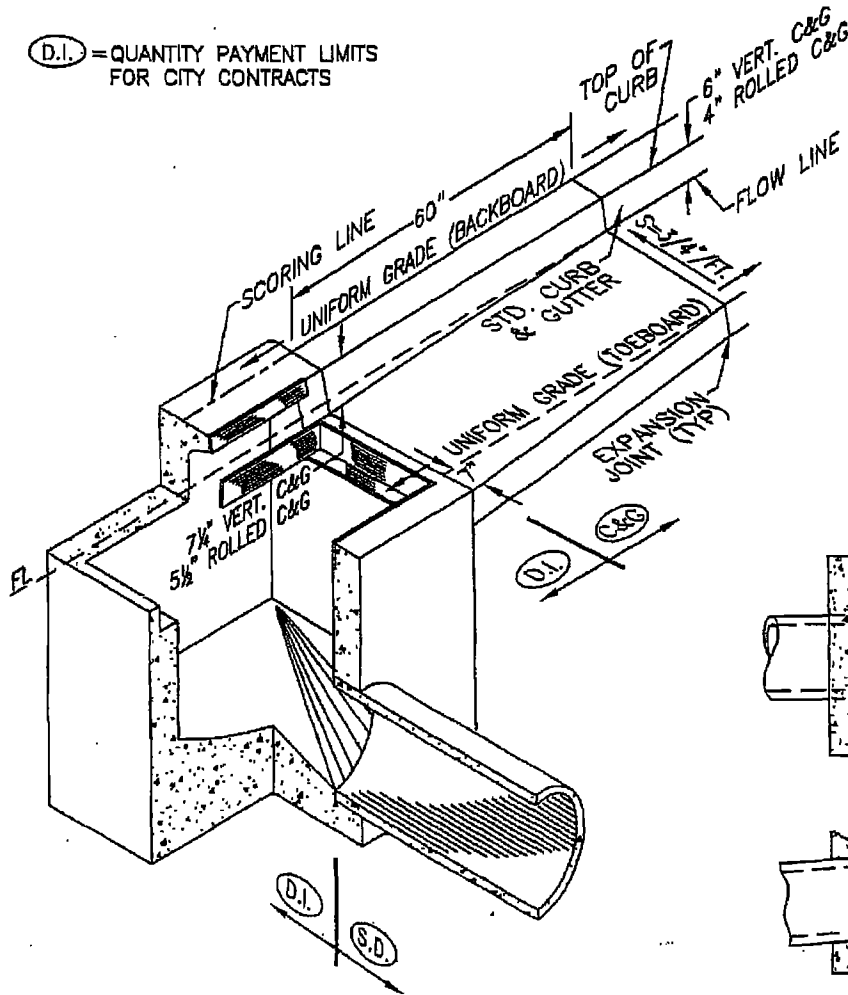
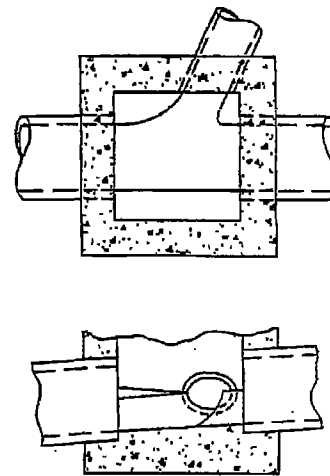


(D.I.) = QUANTITY PAYMENT LIMITS FOR CITY CONTRACTS



D.I. CUT AWAY VIEW



SHAPING OF INVERT

NOTE: USE WHEN MORE THAN ONE PIPE CONNECTS TO THE D.I.

NOTES:

1. WALL THICKNESS SHALL BE 8" WHEN DEPTH OF D.I. IS GREATER THAN 8'.
2. PIPES CAN BE PLACED IN ANY WALL.
3. SEE SHEET 2 OF 4 FOR D.I. CUT AWAY VIEW.
4. SEE SHEETS 3 & 4 FOR GRATE & FRAME DETAILS.
5. CAST-IN-PLACE OR PRECAST ALTERNATIVE IS OPTIONAL WITH CONTRACTOR; SEE STANDARD SPECS.
6. AT CONTRACTOR'S OPTION, 60" TRANSITIONS & D.I. TOP MAY BE MONOLITHIC POUR.

REVISION	BY	DATE	APP. BY COUNCIL

CITY OF CHICO

STANDARD PLAN

DRAWN BY: GL DATE: 1/05
 CHECKED BY: MJ SCALE: NONE
 APPROVED: [Signature]
 DIRECTOR OF ENGINEERING

**36" DROP INLET
(CAL - TRANS "G-0")**

NO. **S-7**

SHEET 2 OF 4