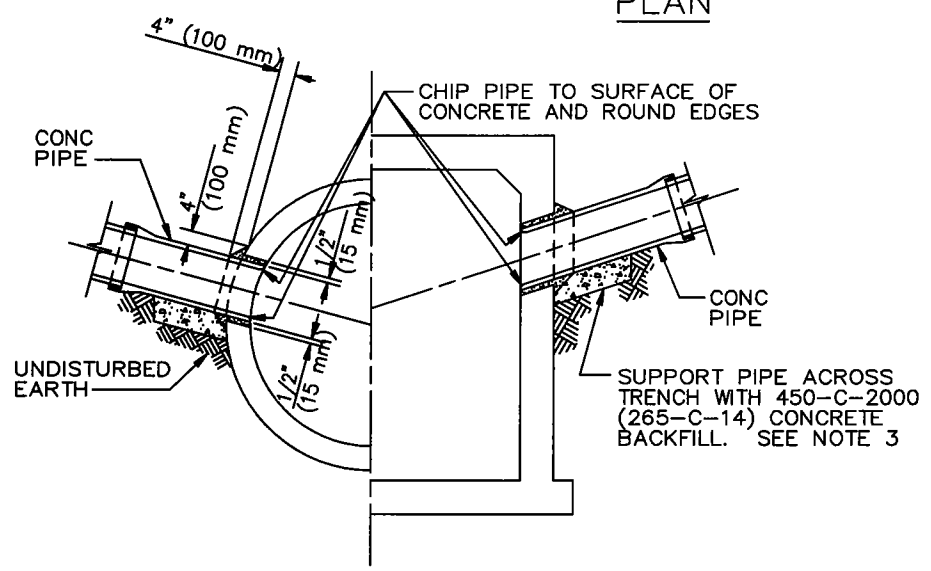
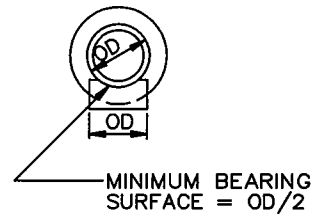


PLAN

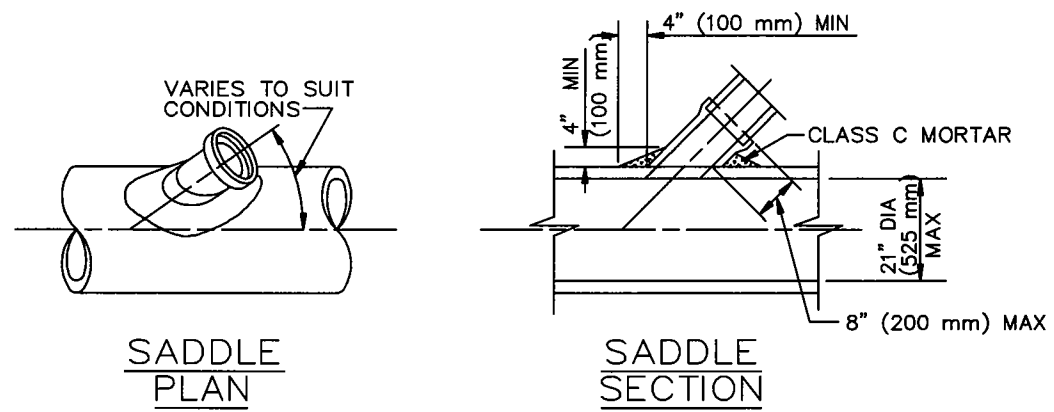


SECTION B-B



SECTION C-C

CASE 1
PLAIN CONCRETE PIPE
D = 24" (600 mm) MAX



SADDLE PLAN

SADDLE SECTION

CASE 2
SADDLE CONNECTION

STANDARD PLANS FOR PUBLIC WORKS CONSTRUCTION

PROMULGATED BY THE
PUBLIC WORKS STANDARDS INC.
GREENBOOK COMMITTEE
1984
REV. 1996, 2009

PIPE CONNECTIONS TO
EXISTING STORM DRAINS

USE WITH STANDARD SPECIFICATIONS FOR PUBLIC WORKS CONSTRUCTION

STANDARD PLAN
335-2
SHEET 1 OF 3