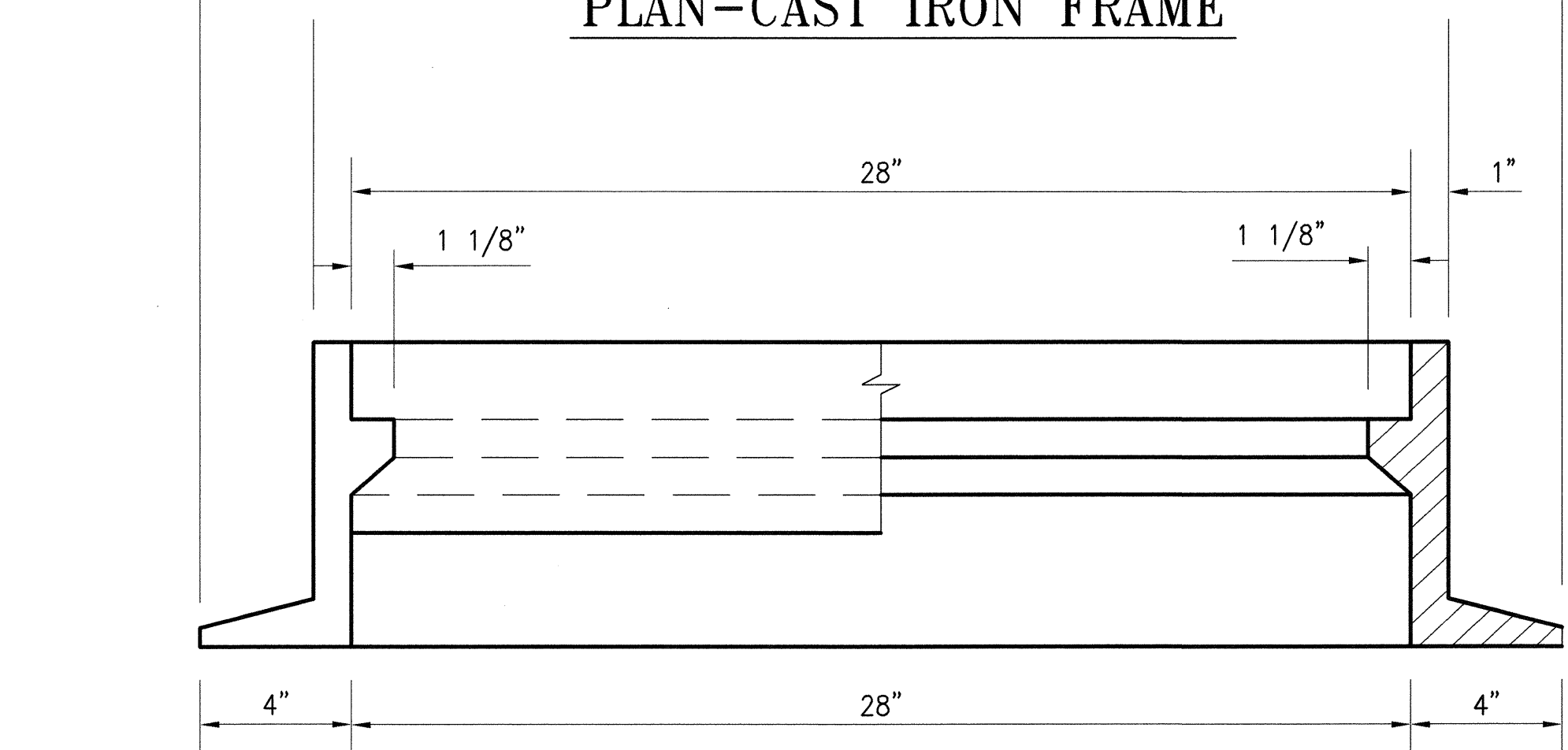
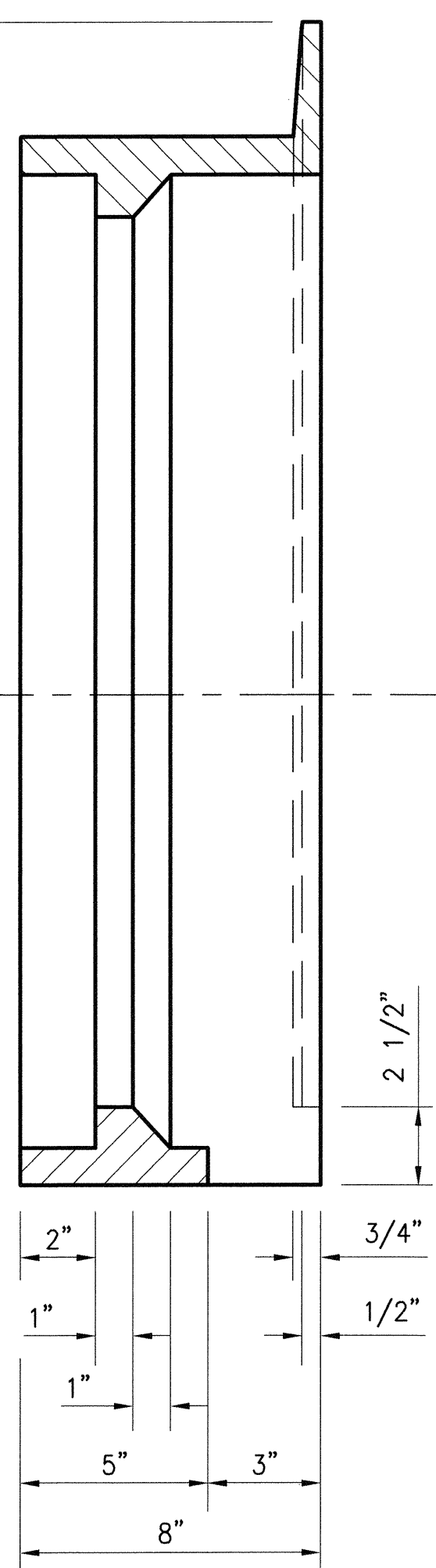


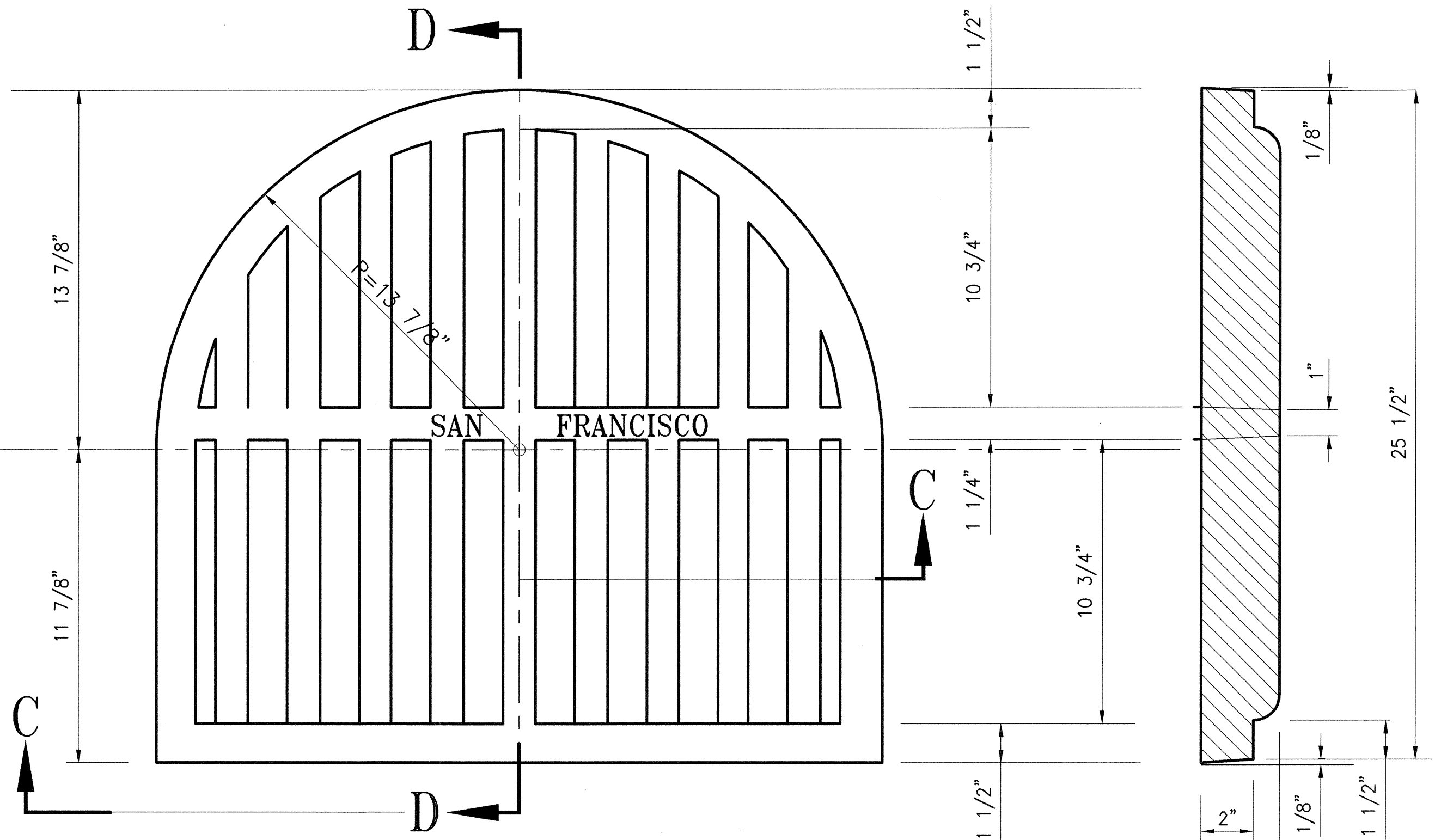
PLAN-CAST IRON FRAME



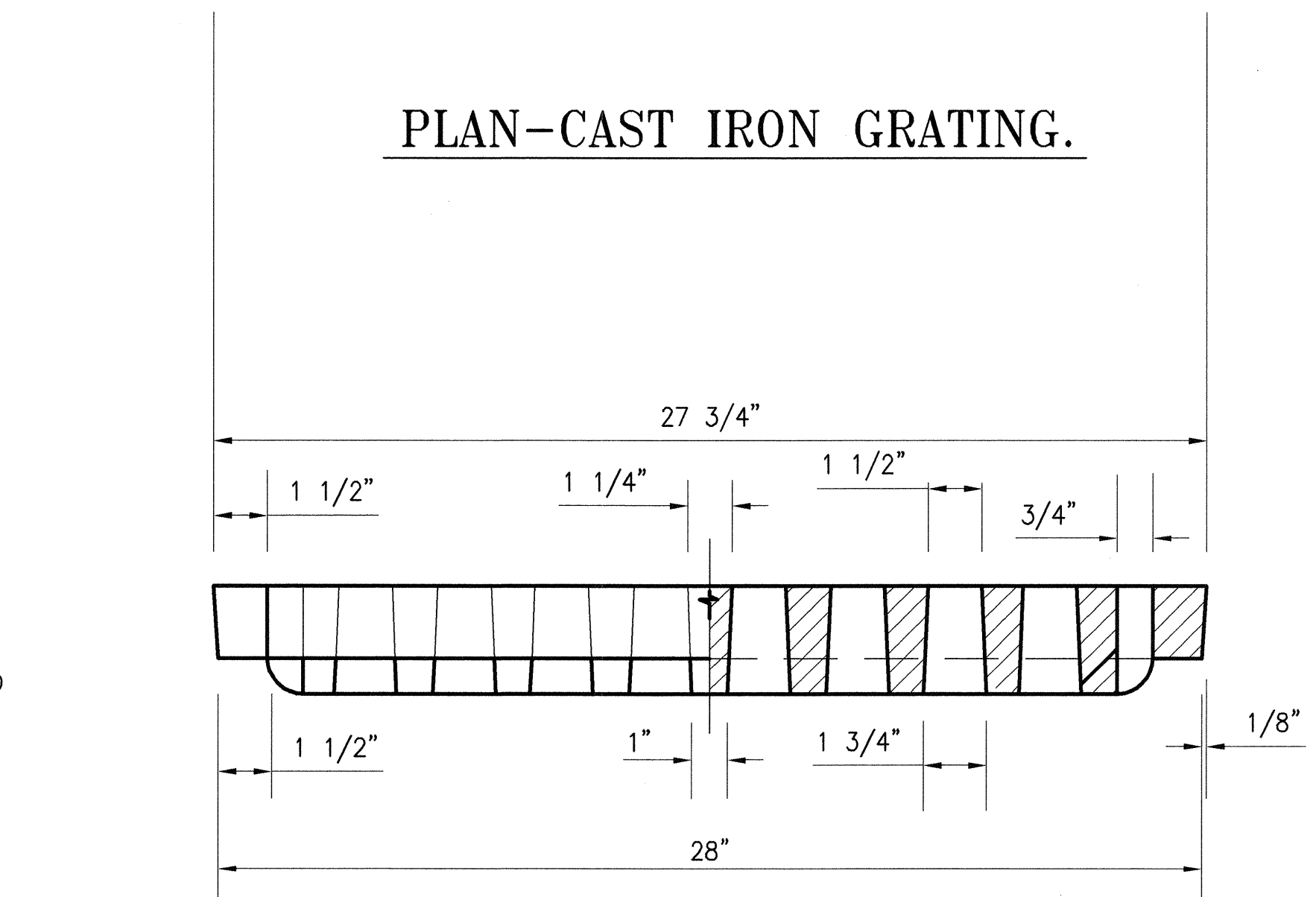
SECTION "A-A"



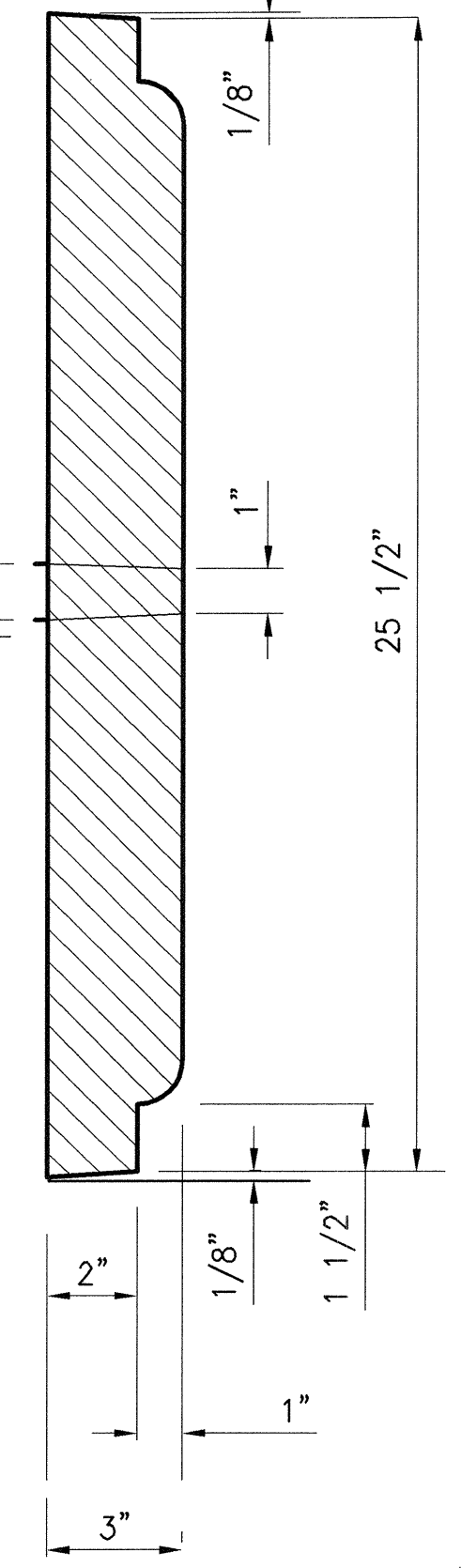
SECTION "B-B"



PLAN-CAST IRON GRATING.



SECTION "C-C"



SECTION "D-D"

FINISH: GRIND HIGH SPOTS FROM CONTACT SURFACES TO OBTAIN UNIFORM BEARING OF GRATING ON FRAME.

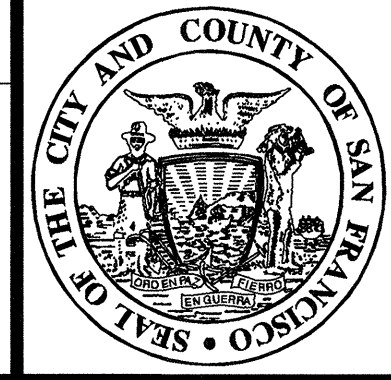
NOTES:

1. COMPUTED WEIGHT OF FRAME--262 POUNDS. COMPUTED WEIGHT OF GRATING--242 POUNDS.
2. THE NAME OF THE FOUNDRY, THE YEAR OF MANUFACTURE & THE PATTERN NUMBER, SHALL BE CAST ON THE UNDERSIDE OF EACH CASTING IN 3/4" LETTERS, RAISED 1/8".
3. CAST IRON SHALL BE IN ACCORDANCE WITH THE CURRENT A.S.T.M. STANDARD SPEC. FOR GRAY CASTING (CL. 30), DESIGNATION A-48.
4. THE WORD "SAN FRANCISCO" SHALL BE CAST, AS INDICATED, ON THE TOP OF THE GRATING IN 3/4" LETTERS RAISED 1/8".

This Standard Plan was developed for use on public works projects in the City and County of San Francisco, and shall not be used without consulting a Registered Professional Engineer. The Department of Public Works reserves the right to make revisions to this Standard Plan at any time.

NO.	DATE	DESCRIPTION	BY	APP.
TABLE OF REVISIONS				
CHECK WITH TRACING TO SEE IF YOU HAVE LATEST REVISION				

REFERENCE INFORMATION & FILE NO. OF SURVEYS



BUREAU OF ENGINEERING
DEPARTMENT OF PUBLIC WORKS
CITY AND COUNTY OF SAN FRANCISCO

REVIEWED:	DATE:	PLANS APPROVAL DATE:	APRIL 30, 2007
ID	12/2006	<i>[Signature]</i>	4/30/07
DRAWN:	DATE:	SECTION MANAGER	
PS	07/2003	<i>[Signature]</i>	4/30/07
CHECKED:	DATE:	DEPUTY BUREAU MANAGER	
KS	12/2006	<i>[Signature]</i>	BUREAU MANAGER

STANDARD PLAN		OLD FILE NO.
HYDRAULICS		LL-360 CH 4
CAST IRON FRAME AND GRATING FOR CATCH BASIN TYPE A		FILE NO. 87,193
		REV. NO.

Xrefs: V:\0966J Standard Plans & Specs Update\2_Plans\Title_Block\BOE STD Title Block.dwg
 Dimension Scale: 4
 Model Units: Feet
 Drawing Path: V:\0966J Standard Plans & Specs Update\2_Plans\FINAL\HYD\SP-87193.dwg, Login: carantos
 Plot Time: Fri, 27 Apr 2007 - 6:55pm