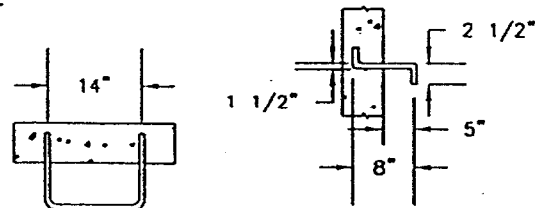


BASE PLAN

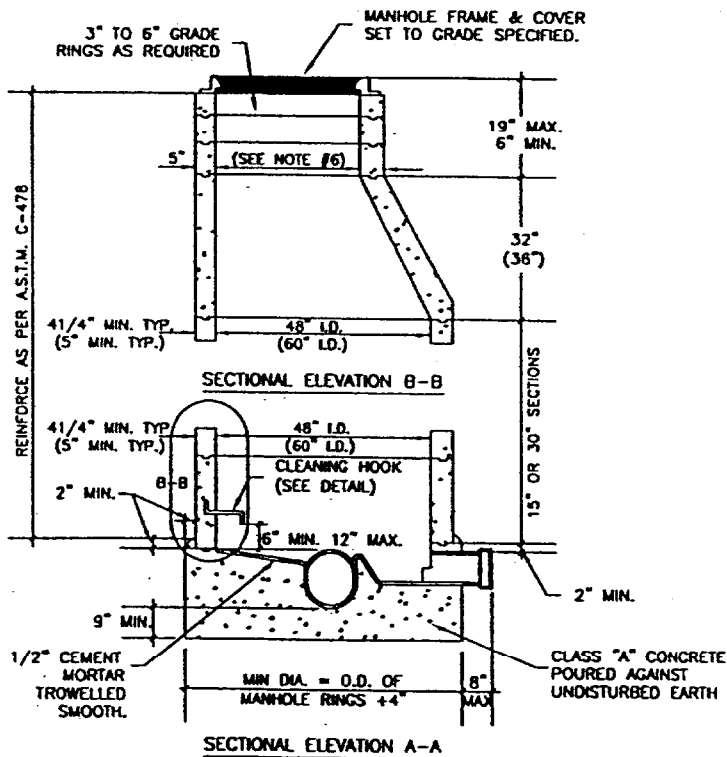


3/4" DIA. ENCAPSULATED STEEL BAR TO BE PRECAST OR GROUTED PER SPECIFICATIONS.

CLEANING HOOK DETAIL

NOTES:

1. PRECAST REINFORCED CONCRETE MANHOLES SHALL CONFORM TO THE REQUIREMENTS OF A.S.T.M. C478 AND:
  - A. BE DESIGNED FOR A.A.S.H.O. H-20 LOADING;
  - B. CONCRETE SHALL BE COMPACTLY VIBRATED, CENTRIFUGALLY SPUN, OR MECHANICALLY TAMPED.
2. CONCRETE BASE SHALL BE OF A CLASS "A" CONCRETE AND PLACED IN ONE OPERATION. CONCRETE INVERTS SHALL BE TRUE TO GRADE AND ALIGNMENT, AND FINISHED WITH A SMOOTH SURFACE. SPECIAL CARE SHALL BE USED IN FORMING ALL CHANNELS TO FACILITATE THE FLOW OF SEWAGE.
3. ALL MANHOLE TOPS SHALL BE INSTALLED WITH THE MANHOLE COVER OVER THE UPSTREAM INLET, EXCEPT IF OTHERWISE SPECIFIED.
4. SEE CITY OF HEMET STANDARD NO. D-305 FOR DETAILS AND INSTALLATION OF MANHOLE AND FRAME.
5. GRADE RINGS SHALL BE 36" I.D. EXCEPT AS OTHERWISE NOTED.
6. STANDARD 48" AND 60" DIA. MANHOLE AS SHOWN HEREON TO BE INSTALLED WHEN DEPTH OF PIPE SHELVE IS GREATER THAN 5' FROM FINISHED STREET GRADE.
7. DIMENSIONS PERTAINING TO 60" ID. REINFORCED MANHOLES SHOWN IN PARENTHESES ("X").
8. JOINT SHALL BE 3/8" THICKNESS CEMENT MORTAR NEATLY TRUCK AND POINTED; OR PREFORMED COLD-APPLIED READY-TO-USE PLASTIC JOINT SEALING COMPOUND AND PRIMER, RAM-NEK, AS SUPPLIED BY K.J. SNYDER CO., HOUSTON, TEXAS OR APPROVED EQUAL.
9. NO MANHOLE STEPS SHALL BE INSTALLED.



CITY of HEMET PUBLIC WORKS DEPARTMENT

PRECAST CONCRETE MANHOLE

SHEET 1 of 2

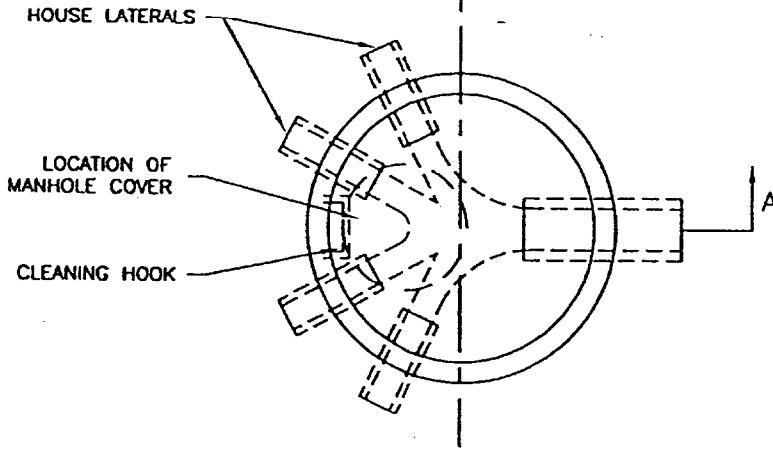
STANDARD No.

REVISIONS

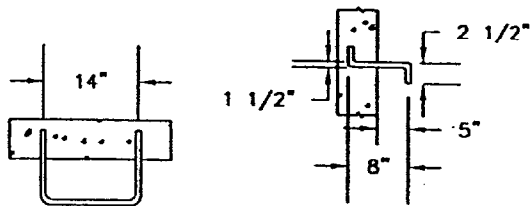
*Richard W. [Signature]*  
CITY ENGINEER 3-18-97

S-601

ALL LATERALS MUST BE PLACED UPSTREAM OF CENTERLINE OF MANHOLE.

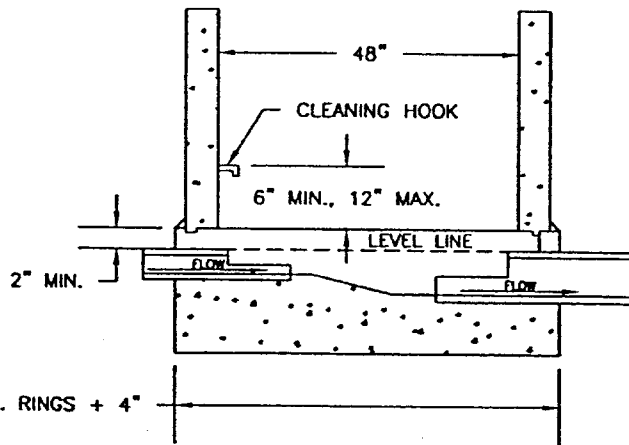


PLAN  
TERMINUS MANHOLE  
WITH HOUSE LATERALS



34" DIA. ENCAPSULATED STEEL BAR  
TO BE PRECAST OR GROUTED PER  
EMWD SPECIFICATIONS.

CLEANING HOOK DETAIL



NOTES:

1. REFER TO STANDARD DRAWINGS OF MANHOLES FOR DETAIL PERTAINING TO MANHOLES ONLY.
2. THE MAXIMUM NUMBER OF LATERALS INTO A TERMINUS MANHOLE SHALL BE LIMITED TO SIX.
3. NO MANHOLE STEPS SHALL BE INSTALLED.

CITY of HEMET PUBLIC WORKS DEPARTMENT

PRECAST CONCRETE TERMINUS MANHOLE

SHEET 2 of 2

STANDARD No.

REVISIONS

*Ronald D. Taylor*  
CITY ENGINEER 3-18-97

S-601A