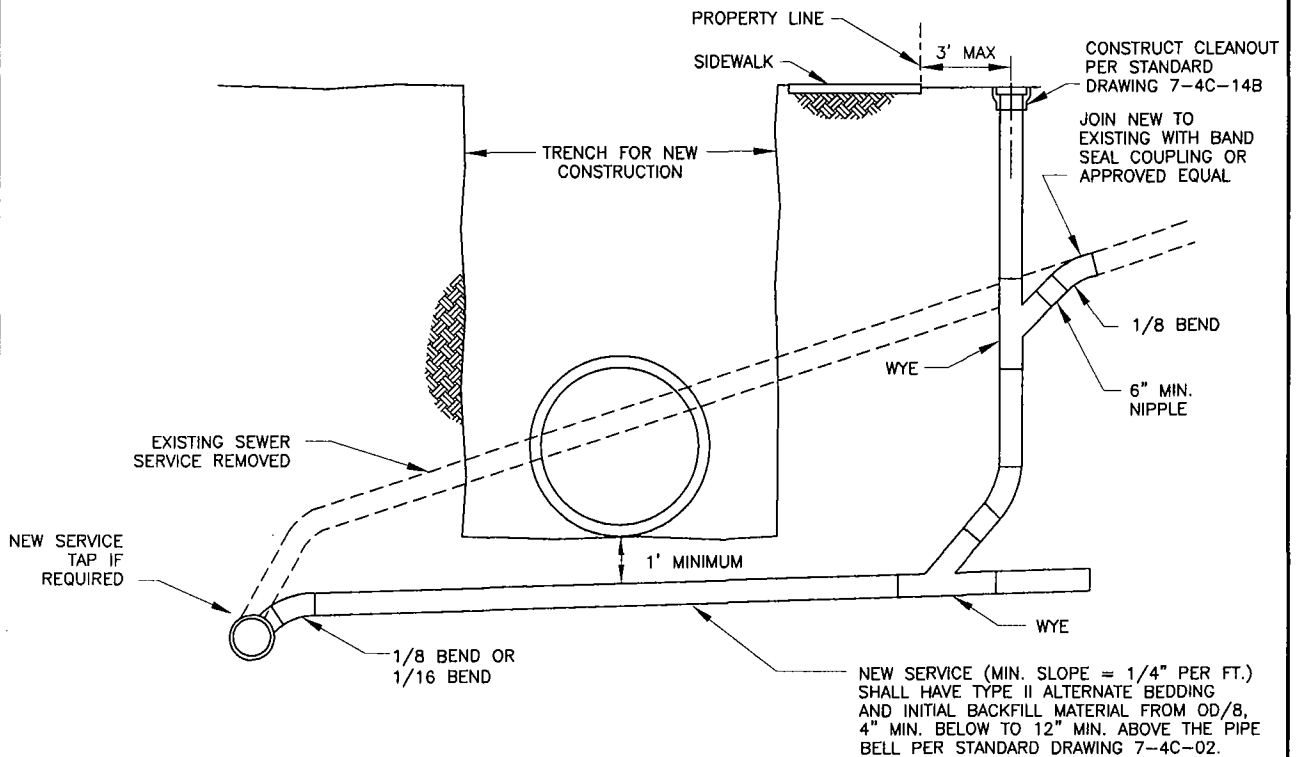


**EXISTING SEWER SERVICE RELOCATION OPTION OVER NEW CONSTRUCTION**



**EXISTING SEWER SERVICE RELOCATION OPTION UNDER NEW CONSTRUCTION**

**NOTE:**

IF NEITHER OF THESE OPTIONS IS AVAILABLE, THE ELEVATION OF THE NEW FACILITY WILL NEED TO BE ADJUSTED TO ACCOMMODATE ONE OF THESE OPTIONS.

*Mary K Snyder*  
DIRECTOR

SACRAMENTO COUNTY  
MUNICIPAL SERVICES AGENCY

**SEWER SERVICE  
REPLACEMENT**

DRAWN BY: RAS  
SCALE: NONE  
DATE: 11/07

**7-4C-11**