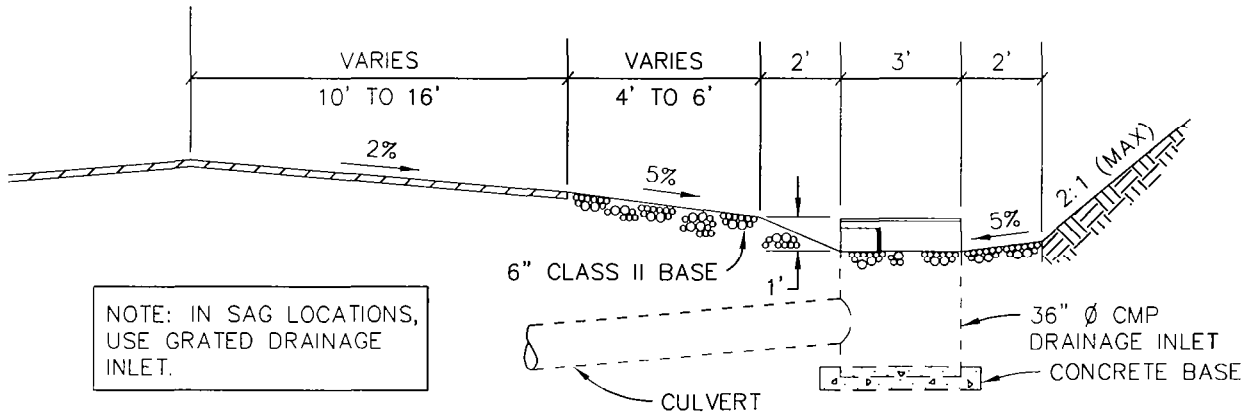
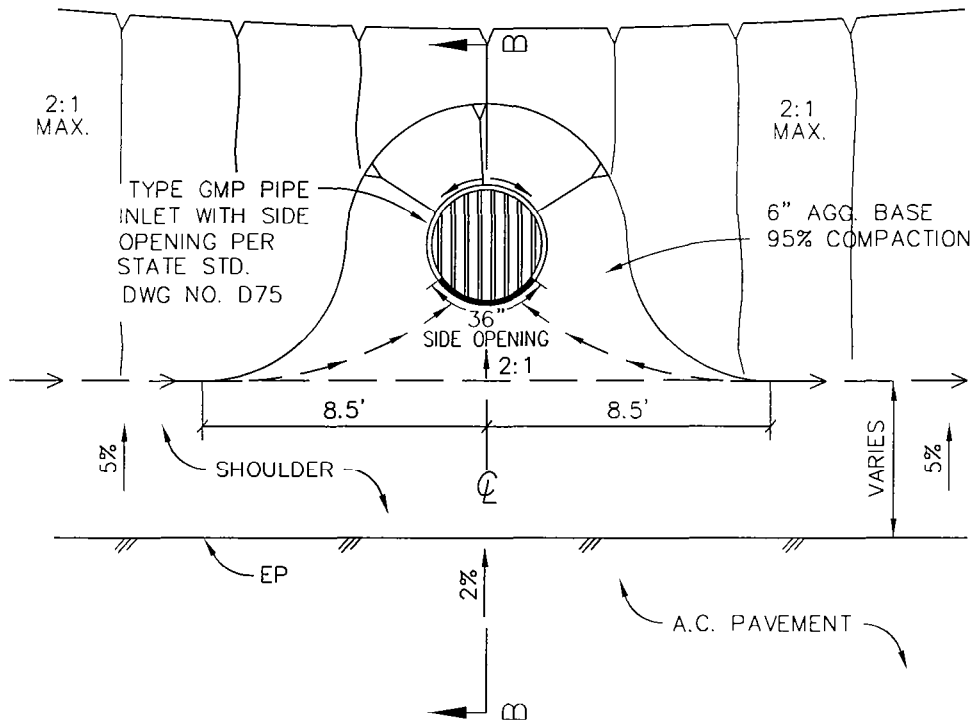


REVISIONS

APPROVALS

DESCRIPTIONS BY DATE APPROVED

COUNCIL RESOLUTION NO. 26-92 3/10/92



SECTION B-B

DRAWN BY:  
R.A.L.  
DESIGNED BY:  
S.J.S.  
DATE:  
02/27/92  
FILE NAME:  
AT504.DWG

CITY OF ATASCADERO  
ENGINEERING DEPARTMENT  
  
RURAL DRAINAGE INLET  
ROADS WITHOUT A.C. DIKE

DRAWING NO.  
  
504