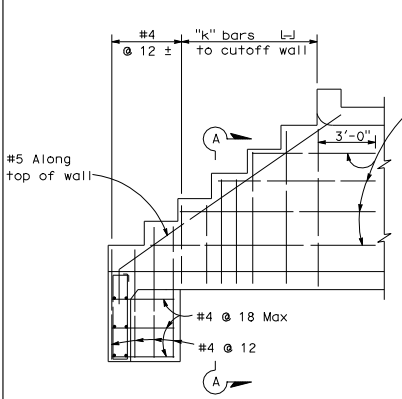


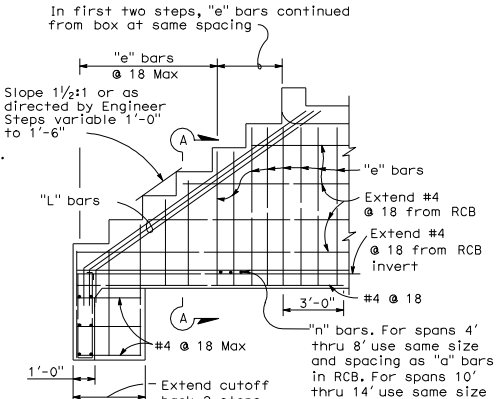
| | | | | | |
|------|--------|-------|--------------------------|-----------|--------------|
| DIST | COUNTY | ROUTE | POST MILES TOTAL PROJECT | SHEET NO. | TOTAL SHEETS |
| | | | | | |

James J. Forester
 REGISTERED CIVIL ENGINEER
 No. C37765
 Exp. 12-31-06
 STATE OF CALIFORNIA

May 1, 2006
 PLANS APPROVAL DATE
 The State of California or its officers or agents shall not be responsible for the accuracy or completeness of electronic copies of this plan sheet.
 To get to the Caltrans web site, go to <http://www.dot.ca.gov>

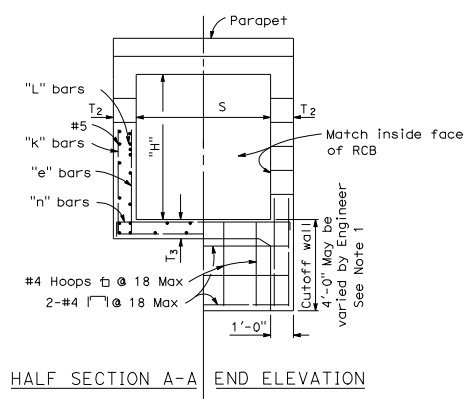


LONGITUDINAL SECTION
Showing reinforcement in outside face

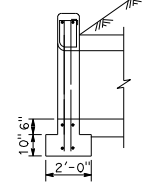


LONGITUDINAL SECTION
Showing reinforcement in inside face

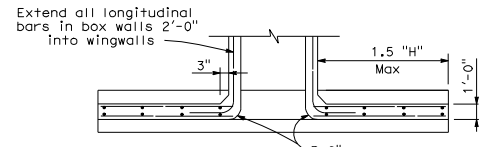
TYPE "E" STEPPED WINGWALL (SINGLE BOX CULVERT)



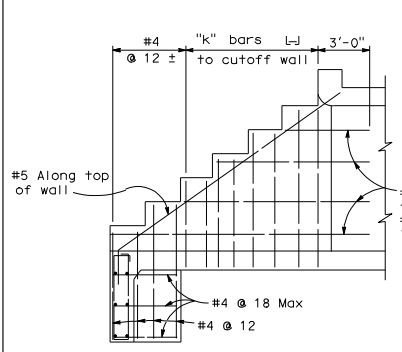
HALF SECTION A-A END ELEVATION
Dimensions S and T₃ to be same as adjacent RCB.
T₂ = Same as adjacent RCB (8" Min).



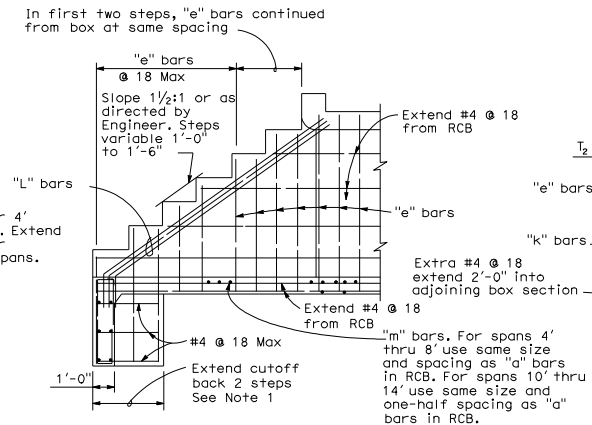
SECTION B-B



SECTION C-C

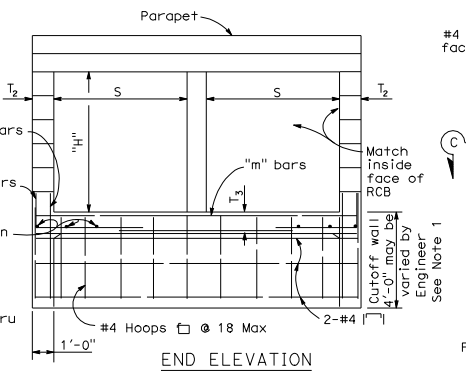


LONGITUDINAL SECTION
Showing reinforcement in outside face

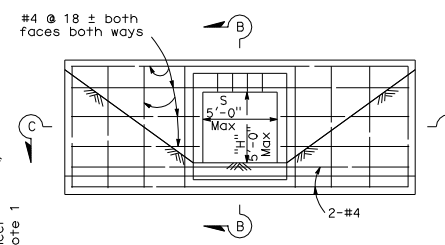


LONGITUDINAL SECTION
Showing reinforcement in inside face

TYPE "E" STEPPED WINGWALL (MULTIPLE BOX CULVERT)



END ELEVATION
Dimensions S and T₃ to be same as adjacent RCB.
T₂ = Same as adjacent RCB (8" Min).



ELEVATION
TYPE "D" STRAIGHT WINGWALL
Details similar for multiple span boxes.
For Parapet Details not shown see Standard Plan D82.

- NOTES:**
- Eliminate cutoff walls if adjacent channel is paved.
 - For "H" not shown use reinforcement for next greater height.

| "H" (See Note 2) | 3' | 4' | 5' | 6' | 7' | 8' | 10' | 12' | 14' |
|----------------------|------|------|------|------|-----|-----|-----|-----|-----|
| "k" Bar No. | #4 | #4 | #5 | #5 | #5 | #5 | #5 | #5 | #5 |
| "k" Spacing | @ 12 | @ 12 | @ 12 | @ 10 | @ 9 | @ 8 | @ 7 | @ 5 | @ 4 |
| "L" Bar No. | #5 | #5 | #6 | #6 | #7 | #7 | #7 | #7 | #7 |
| "L" Number each wall | 2 | 2 | 3 | 3 | 3 | 3 | 3 | 3 | 3 |

STATE OF CALIFORNIA
DEPARTMENT OF TRANSPORTATION
BOX CULVERT WINGWALLS
TYPES D AND E

NO SCALE

D85