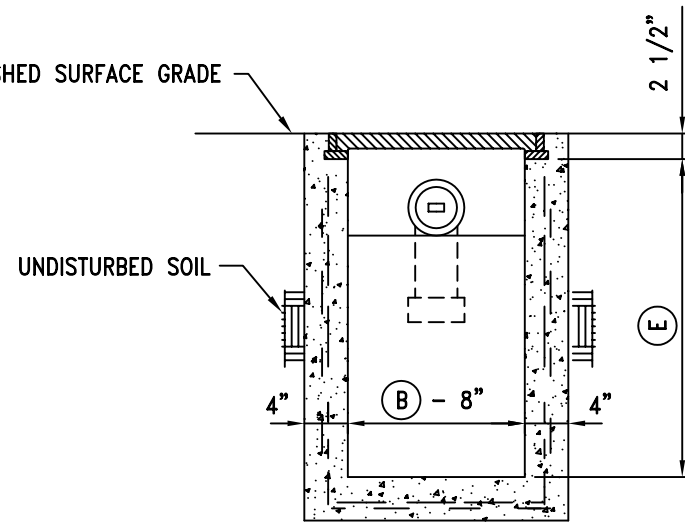
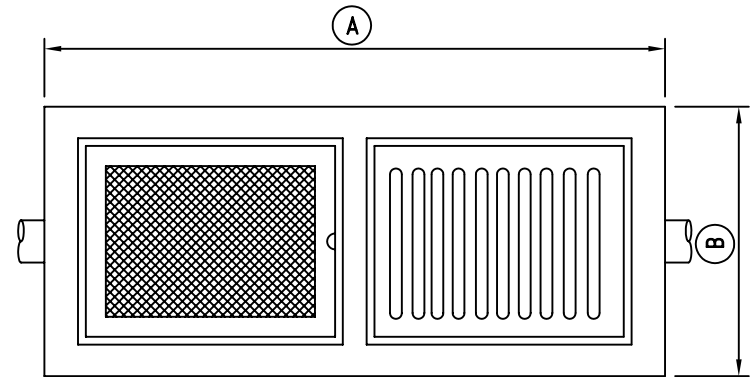


ELEVATION
SCALE 3/4"=1'-0"




SECTION A-A
SCALE 3/4"=1'-0"



PLAN
SCALE 3/4"=1'-0"

PIPE SIZE	DIMENSIONS					COVER & GRATE CLR. OPENING
	A	B	C	D	E	
4"	56"	24"	22"	14"	30"	16" x 22"
6"	68"	24"	28"	20"	36"	16" x 28"
8"	80"	24"	34"	26"	42"	16" x 34"
USE CLASS "A" 6 SACK CONCRETE FOR CONST.						ALHAMBRA-A-2012 GRATE & A-2017 COVER OR EQUAL

RICHARD C. SWEET R.C.E. 44,213 EXP. 6/30/07		DATE 1/20/05			City of Santa Maria Standard Drawing	
REVISIONS		BY	APP		DATE	DESCRIPTION:
					SAND OR GREASE TRAP	SS-11
					4"-6"-8"	
DRAWN BY: L.R.U.		DATE DRAWN: 8/73		SCALE: NONE		SHEET 1 OF 1