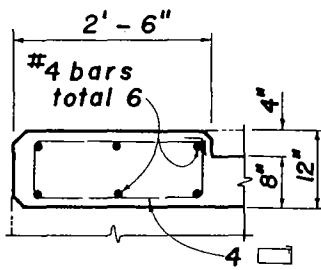
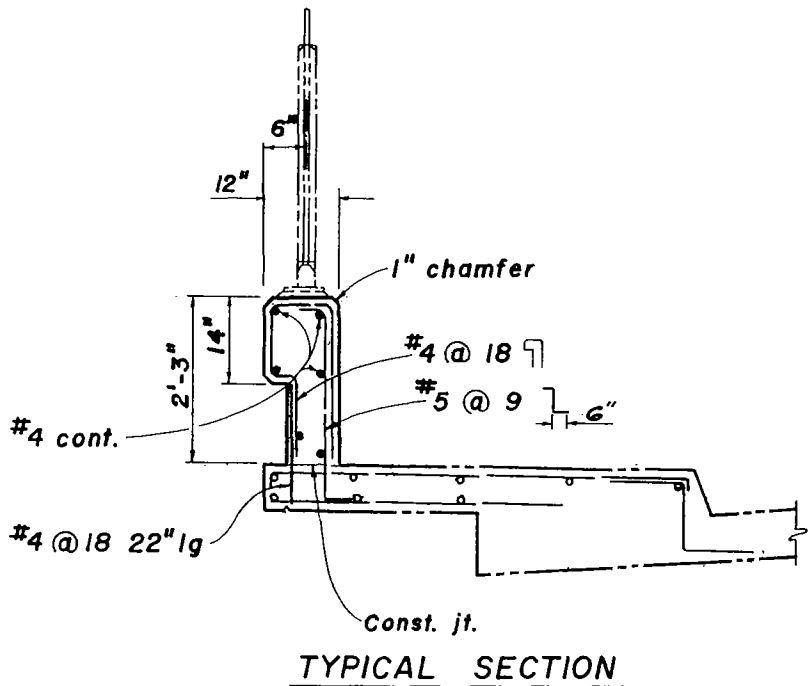


Note: Reinforcing steel shall have 1 1/2" cover



NOTE: Wall expansion joints to be located at all deck joints, at \odot piers or bents, and at uniform spacing (40' max.) between those specified. Joint size to be 1/2" min. and increased to match deck joints. Curb joints to be located as specified on plans.



LOS ANGELES COUNTY ROAD DEPARTMENT

BARRIER RAILING TYPE 3

STANDARD PLAN

100-03

APPROVED

J. L. Mosher
ROAD COMMISSIONER

27 Mar 73
DATE