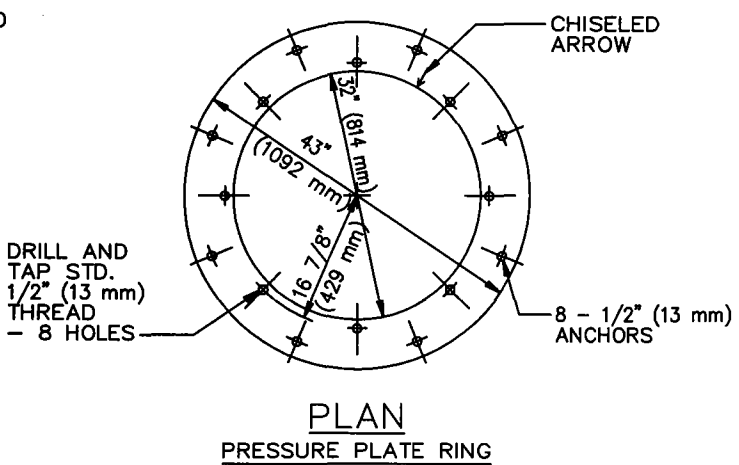
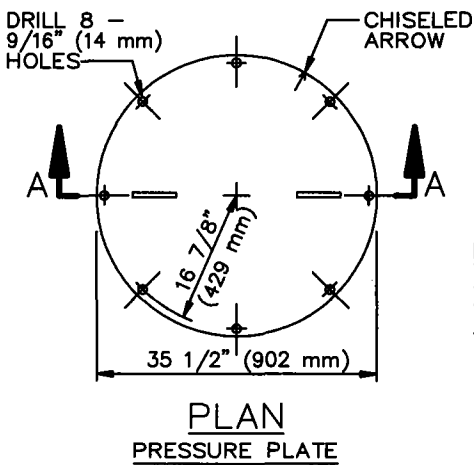


**VERTICAL SECTION OF SPECIAL PRESSURE MANHOLE SHAFT**



STANDARD PLANS FOR PUBLIC WORKS CONSTRUCTION

PROMULGATED BY THE PUBLIC WORKS STANDARDS INC. GREENBOOK COMMITTEE 1992 REV. 1996, 2009

**PRESSURE MANHOLE SHAFT AND PRESSURE PLATE DETAIL 36" (914 mm) WITHOUT REDUCER**

USE WITH STANDARD SPECIFICATIONS FOR PUBLIC WORKS CONSTRUCTION

STANDARD PLAN

**329-2**

SHEET 1 OF 2