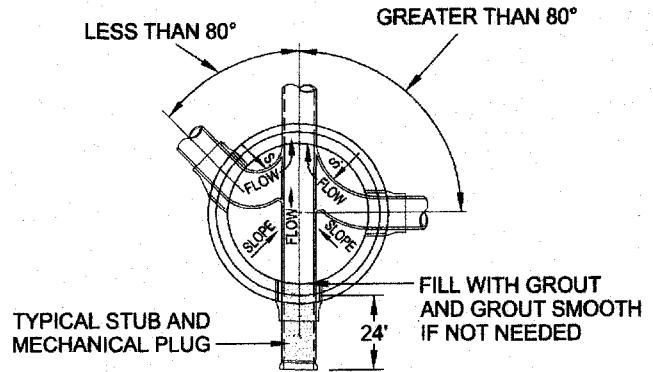
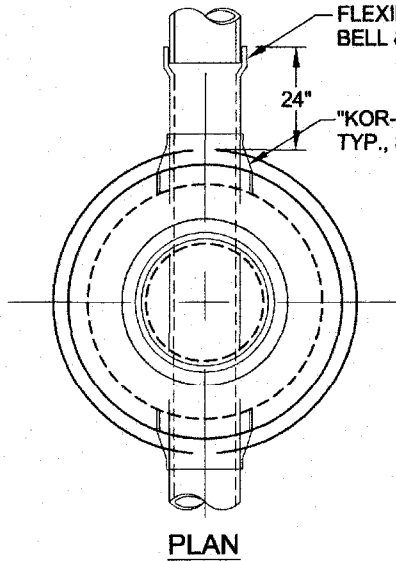
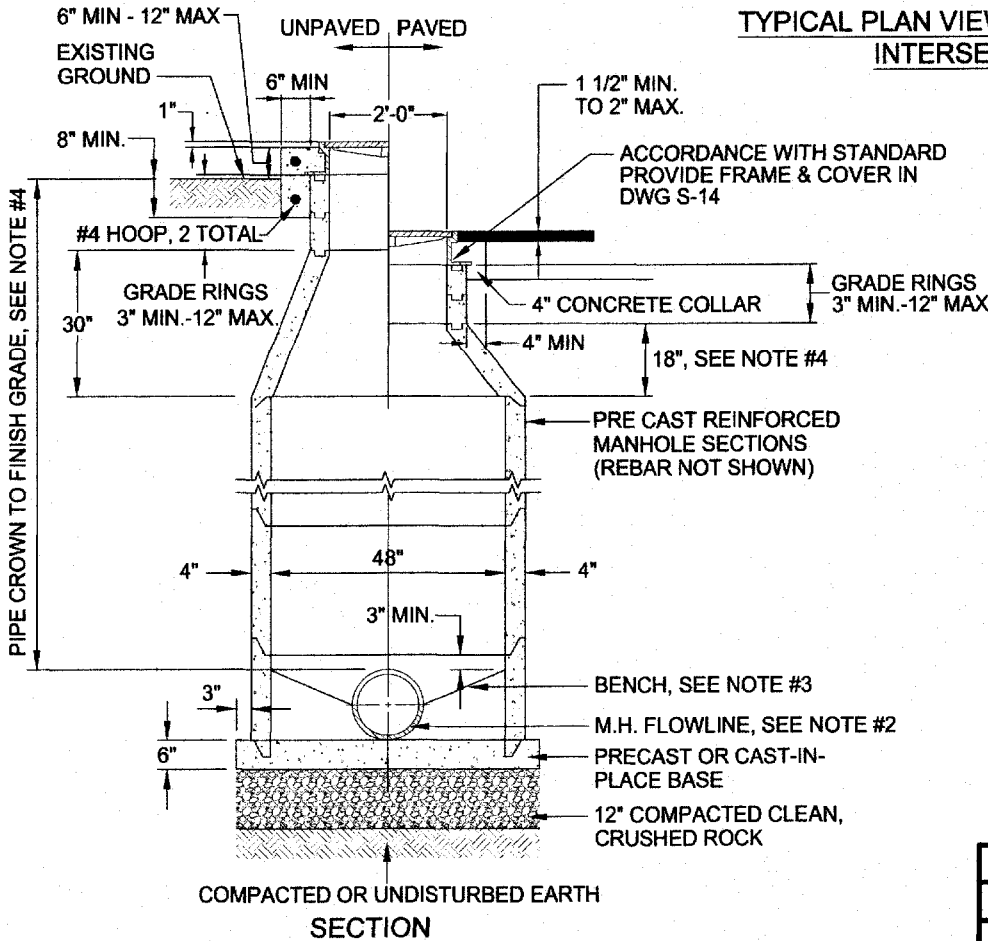


**NOTES:**

1. MANHOLES SHALL CONFORM TO SECTION 25 OF THE STANDARD SPECIFICATIONS. ANY CONNECTIONS ABOVE MANHOLE BASE SHALL BE CORED AND INSTALLED WITH RESILIENT FLEXIBLE CONNECTION. AN ADDITIONAL FLEXIBLE CONNECTION SHALL BE PLACED 24" OUTSIDE BASE.
2. FLOWLINE MATERIAL FOR MAIN PIPE AND INTERSECTING MAINS SHALL BE VITRIFIED CLAY EXCEPT: IF MANHOLE BASE IS PRECAST CONCRETE; OR MANHOLE BASE IS PLACED OVER MAIN WHICH IS "LAID THROUGH", IN WHICH CASE FLOWLINE MATERIAL SHALL BE SAME AS MAIN.
3. MANHOLE BENCH SHALL SLOPE UPWARDS FROM THE SPRING-LINE OF THE PIPE TO THE PROJECTED LEVEL OF THE CROWN OF THE PIPE AT THE MANHOLE WALL OR 12" ABOVE THE SPRING-LINE, WHICHEVER IS LESS.
4. IF PIPE CROWN TO FINISH GRADE IS BETWEEN 30" AND 39", USE A 15° CONE. IF LESS THAN 30", USE A FLAT SLAB TOP.



**TYPICAL PLAN VIEW OF MANHOLE SHOWING INTERSECTING SEWERS**



REV.	DATE	DESCRIPTION

R:\Utilities\City\_Stds\_Details\Sewer\_Drainage\S-70