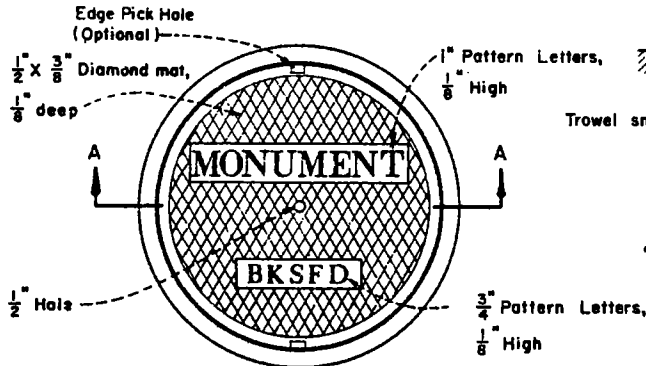
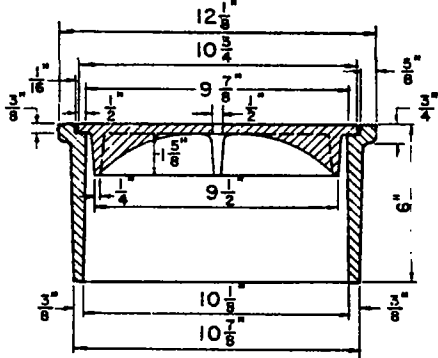


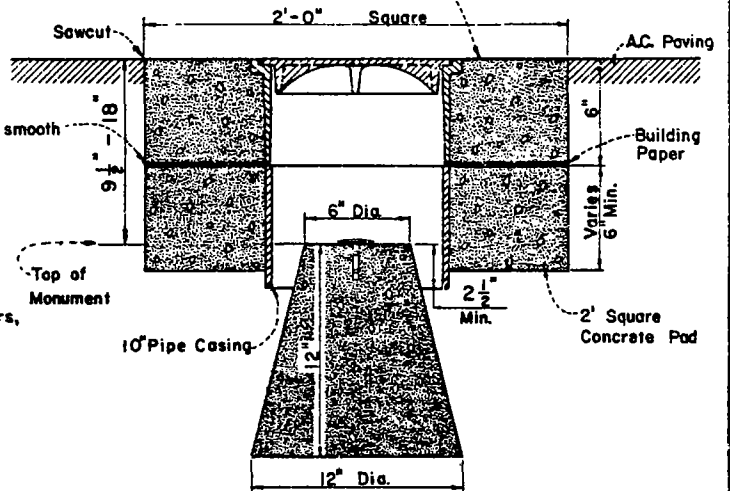
NOTE: PCC slab not to be placed until paving is in place.



PLAN



SECTION A-A



SECTION THRU MONUMENT

GENERAL NOTES:

All work shall conform to the applicable sections of the specifications entitled "Standard Specifications, State of California, Business and Transportation Agency, Department of Transportation," current edition, and these special provisions: GENERAL NOTES:

Castings shall conform to the provisions of the specification for Gray - Iron Castings, Serial Designation ASTM-(latest) A48, Class No. 30 B.

All Frames and Covers shall be tough, gray cast iron, free from warps, cracks, swells and cold sheet, and shall have a workmanlike finish.

The seats of frames and bearing faces of the covers shall be machined for a smooth, non-rocking fit between the two castings.

Castings shall be thoroughly cleaned and dipped twice in a preparation of asphalt or coal tar and oil applied at 300° Fahrenheit to form a firm and tenacious seal.

Concrete shall contain no additives unless prior written approval is obtained from the City Engineer.

Concrete shall be cured with a white pigmented curing compound complying with section 90-701B of the "Standard Specifications".

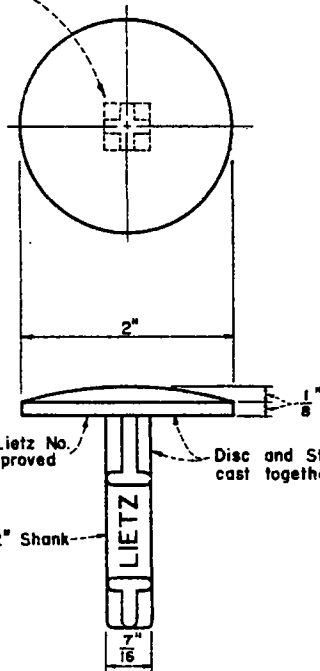
The surface shall be finished to grade, troweled smooth and given a light broom finish.

Concrete shall be Class A, (6-Sack Portland Cement Concrete).

The name of the manufacturing company shall be on the underside of the cover.

Pipe casing shall be 10" I.D., steel, ABS, or as directed by the City Engineer.

Stamp disc with R.C.E. or L.S. number



DOMe HEAD DISC DETAIL

REVISED JUL 89

APPROVED BY THE CITY COUNCIL December 16, 87 <i>Carol Williams</i> CITY CLERK	STANDARD SURVEY MONUMENT	DATE Dec. 1, 1997 DRAWN GLR. & J.A.S. CHECKED <i>Ch. Moore</i> SCALE None
APPROVED <i>J. Dale Hawley</i> CITY ENGINEER	CITY OF BAKERSFIELD CALIFORNIA ENGINEERING DEPARTMENT	S-29