



**LBIW Inc.**

2020 WEST 14TH STREET  
 LONG BEACH, CA. 90813  
 Tel No. : (562) 432.5451  
 Fax No. : (562) 432.5929  
 www.lbiw.com

**PRODUCT NUMBER**

**DECK DRAIN  
 TYPE A**

**GALVANIZED**

**ESTIMATED WEIGHT**

**SPECIFICATION**

CALTRANS B7-5

**DESIGNATES MACHINED**

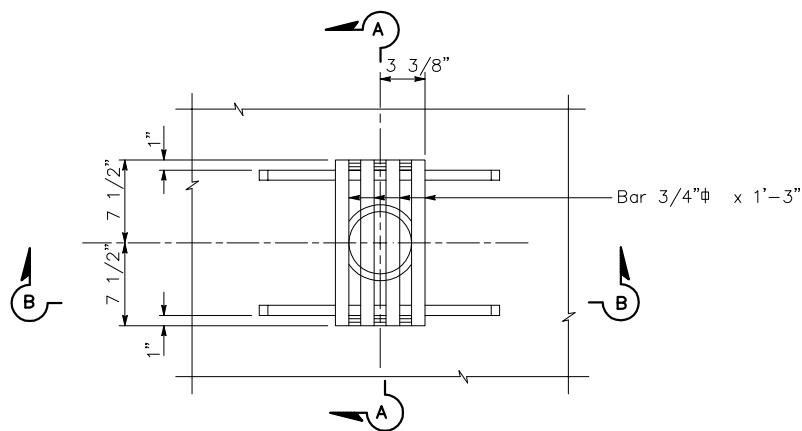
**DRAWN**

**DATE**

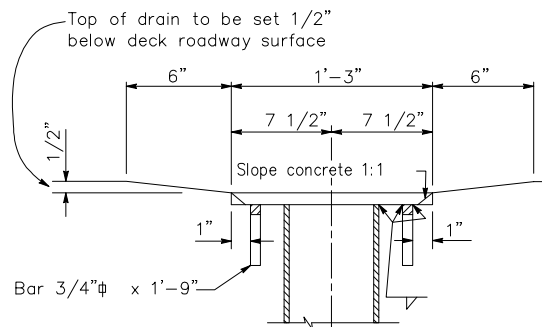
03-25-09

**REFERENCE INFORMATION**

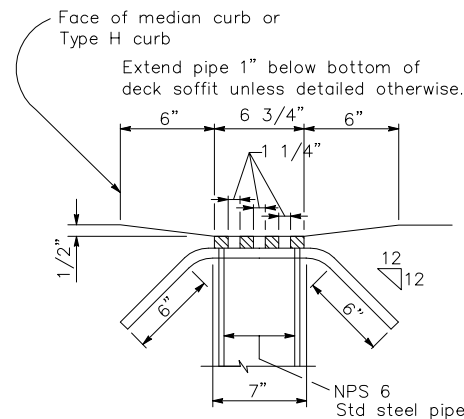
SECTION 08



PLAN



SECTION A-A



SECTION B-B

DECK DRAIN - TYPE "A" DETAIL 7-1

NOTE:

Galvanize drain  
 after fabrication.