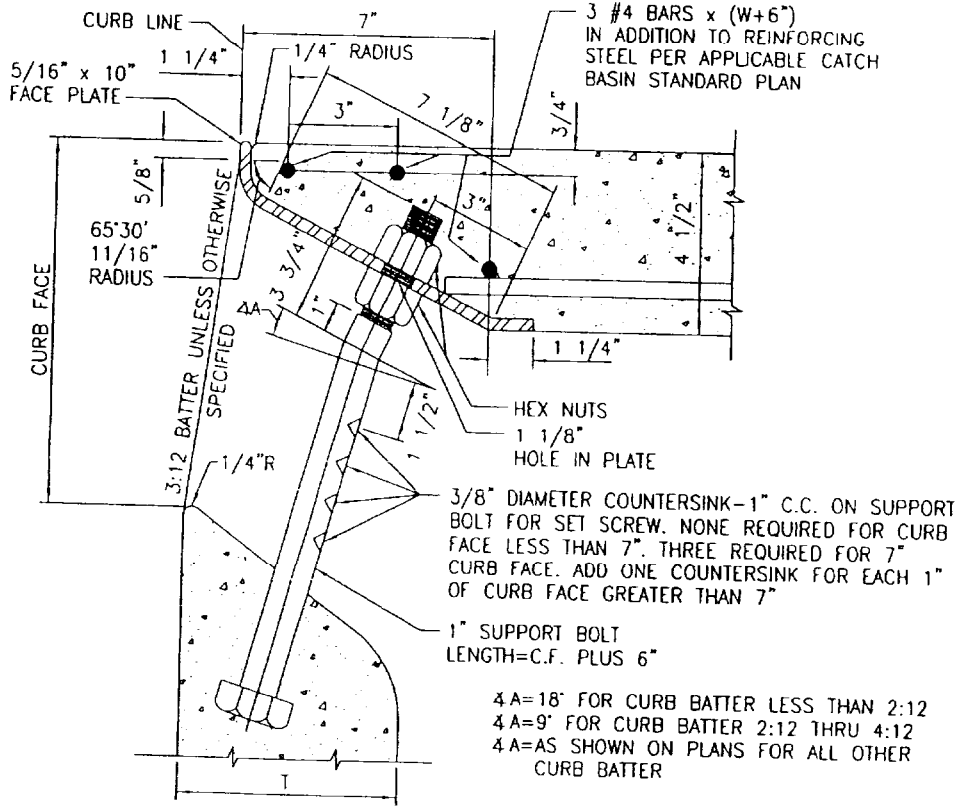
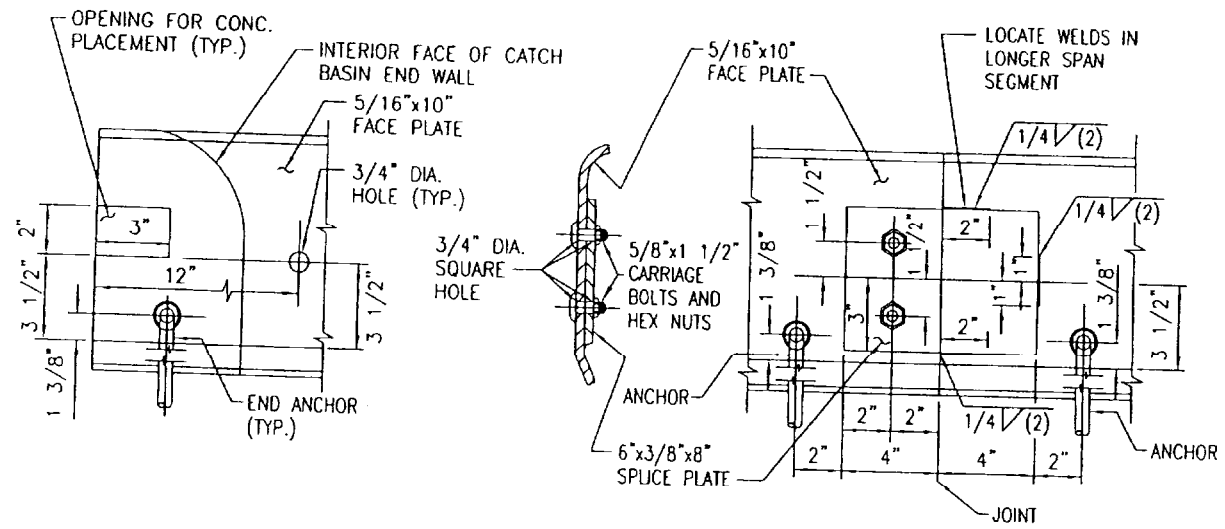


SUPPORT BOLT AND FACE PLATE (4 1/2" TOP SLAB)



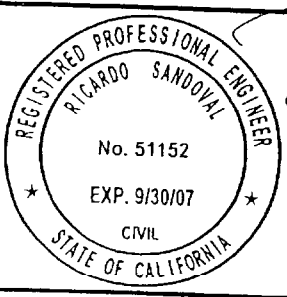
SECTION



END DETAIL

SPLICE DETAIL

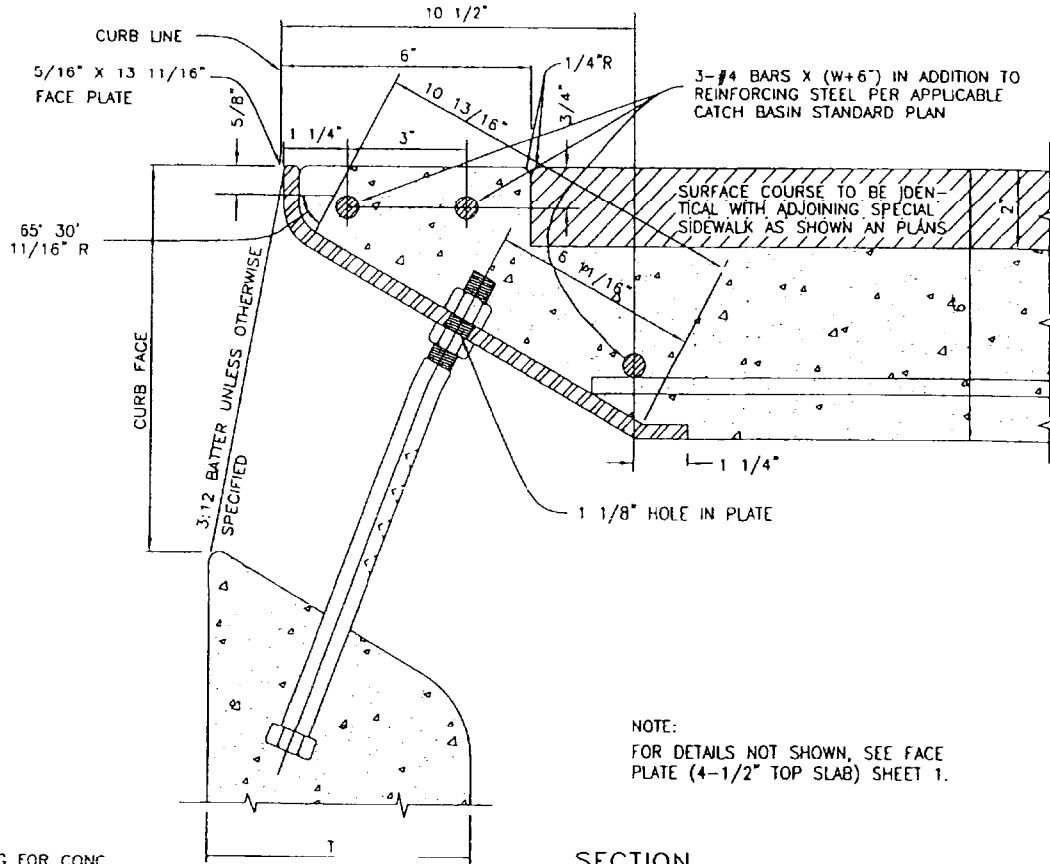
NOT TO SCALE



APPROVED BY: *Ricardo Sandoval* 10.18.06
 CITY ENGINEER
RICARDO SANDOVAL
 DATE
 REVIEWED BY: *DL*
 DATE OF LAST REVISION:

CITY OF FONTANA
 CATCH BASIN
 FACE PLATE ASSEMBLY
 AND PROTECTION BAR
 07/10/06
 STD. PLAN NO. 3007 SHT 1 OF 6

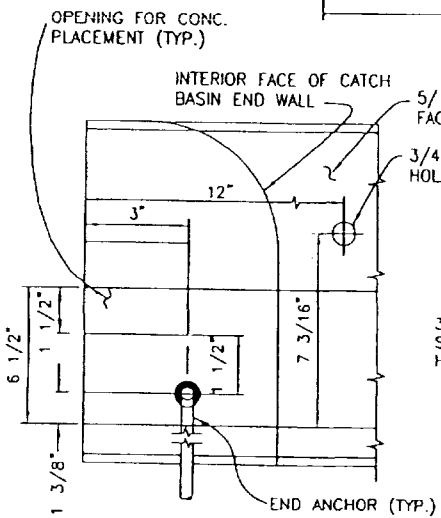
SUPPORT BOLT AND FACE PLATE (6" TOP SLAB)



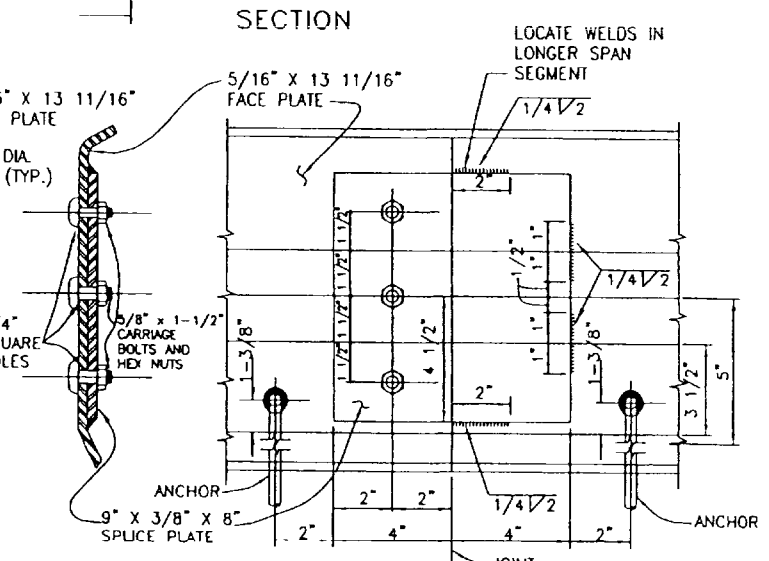
3-#4 BARS X (W+6") IN ADDITION TO REINFORCING STEEL PER APPLICABLE CATCH BASIN STANDARD PLAN

SURFACE COURSE TO BE IDENTICAL WITH ADJOINING SPECIAL SIDEWALK AS SHOWN ON PLANS

NOTE:
FOR DETAILS NOT SHOWN, SEE FACE PLATE (4-1/2" TOP SLAB) SHEET 1.



END DETAIL



SPLICE DETAIL

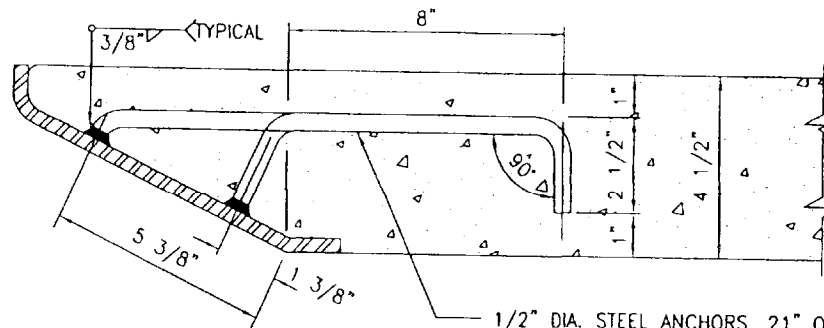
NOT TO SCALE



APPROVED BY: *Ricardo Sandoval*
 CITY ENGINEER
 RICARDO SANDOVAL
 REVIEWED BY: *DL*
 DATE OF LAST REVISION: _____

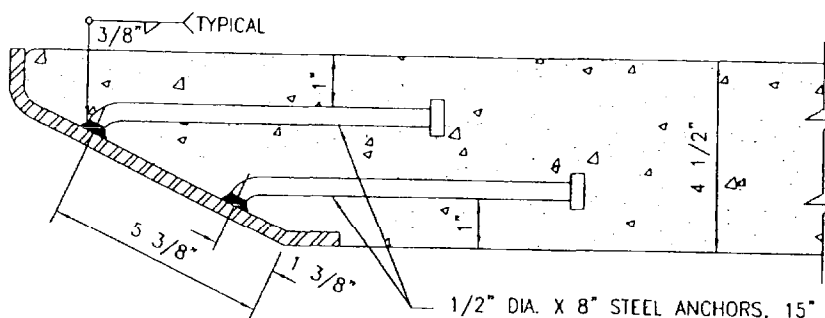
CITY OF FONTANA
 CATCH BASIN
 FACE PLATE ASSEMBLY
 AND PROTECTION BAR
 07/10/06
 STD. PLAN NO. 3007 SHT 2 OF 6

FACE PLATE ANCHORS



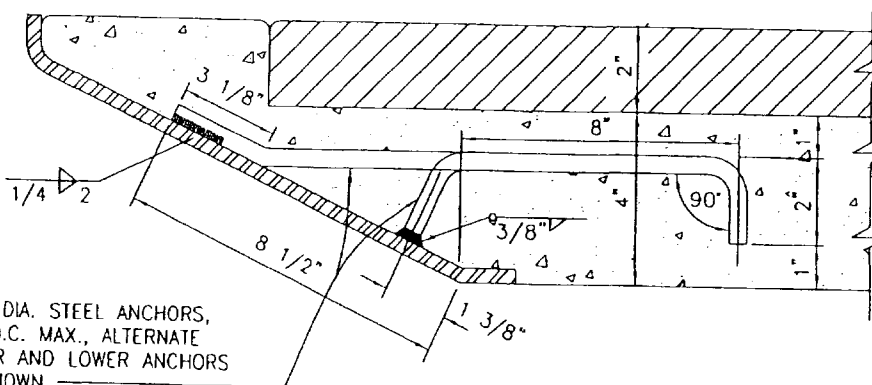
1/2" DIA. STEEL ANCHORS, 21" O.C. MAX.,
ALTERNATE UPPER AND LOWER ANCHORS AS SHOWN

HOOK ANCHOR - 4 1/2" TOP SLAB



1/2" DIA. X 8" STEEL ANCHORS, 15" O.C. MAX.
ALTERNATE UPPER AND LOWER ANCHORS AS SHOWN

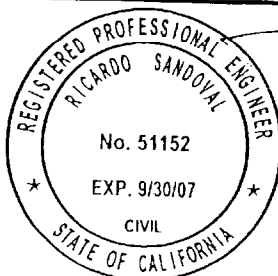
ROUND HEAD ANCHOR - 4 1/2" TOP SLAB



1/2" DIA. STEEL ANCHORS,
21" O.C. MAX., ALTERNATE
UPPER AND LOWER ANCHORS
AS SHOWN

HOOK ANCHOR - 6" TOP SLAB

NOT TO SCALE



APPROVED BY:

Ricardo Sandoval 10-18-06

CITY ENGINEER
RICARDO SANDOVAL

DATE

REVIEWED BY: *RS*

DATE OF LAST REVISION: _____

CITY OF FONTANA

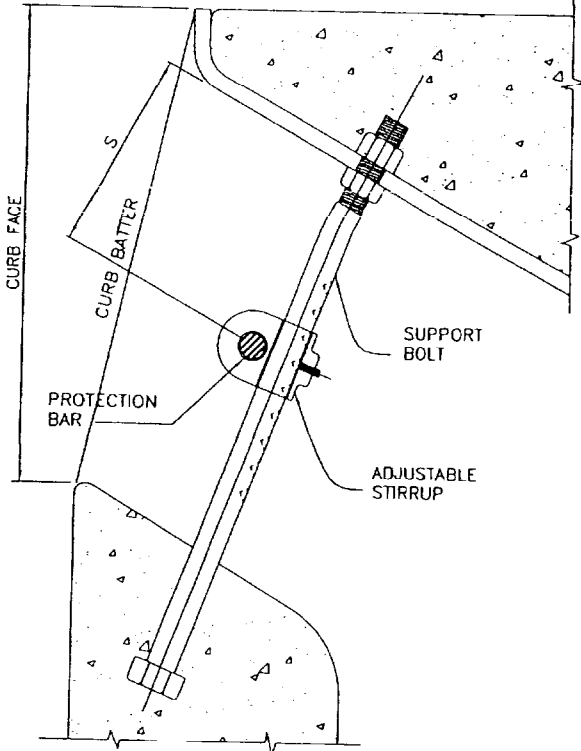
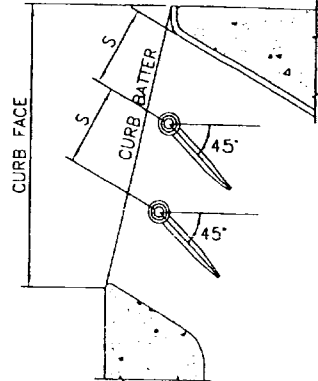
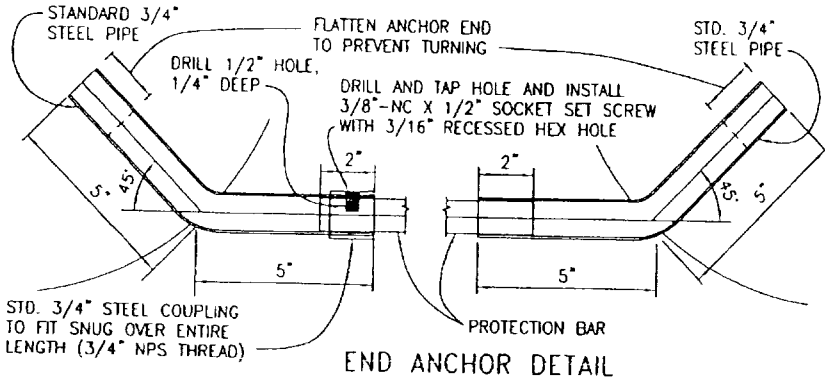
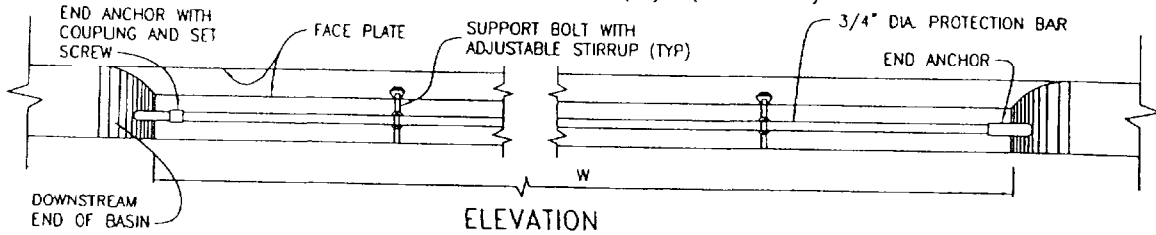
CATCH BASIN
FACE PLATE ASSEMBLY
AND PROTECTION BAR

07/10/06

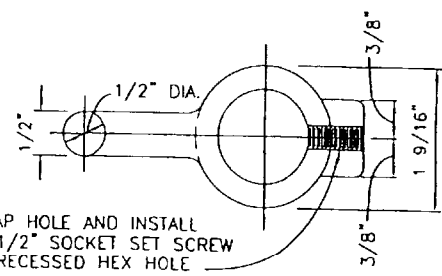
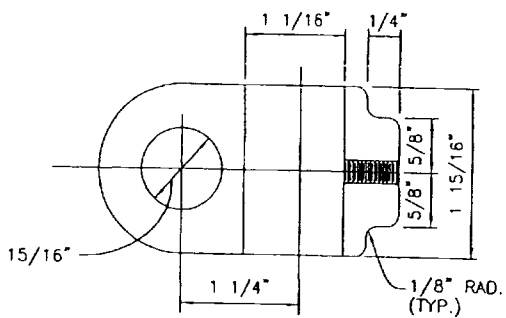
STD. PLAN NO. 3007

SHT 3 OF 6

PROTECTION BAR AND SUPPORT BOLT(S) WITH
ADJUSTABLE STIRRUP(S)-(TYPE A)



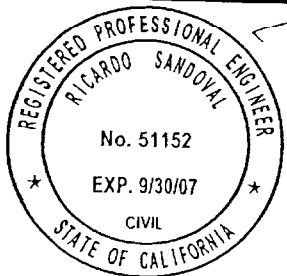
DOUBLE PROTECTION BAR DETAIL



PROTECTION BAR & STIRRUP LOCATION

STIRRUP DETAIL

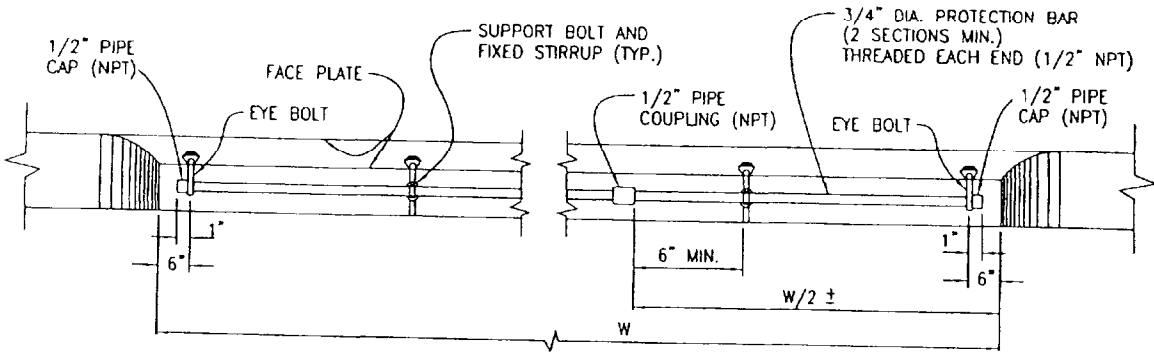
NOT TO SCALE



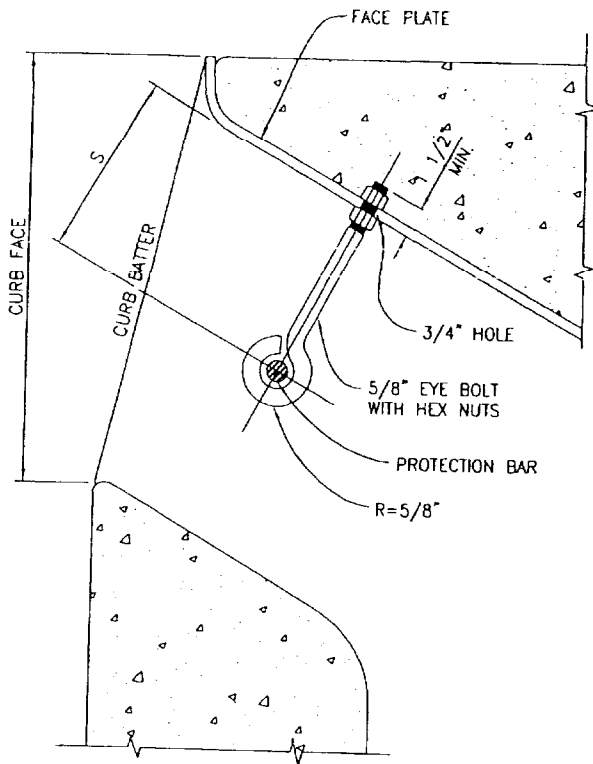
APPROVED BY: *Ricardo Sandoval* 10/18/06
 CITY ENGINEER
RICARDO SANDOVAL DATE
 REVIEWED BY: *DLG*
 DATE OF LAST REVISION: _____

CITY OF FONTANA
**CATCH BASIN
 FACE PLATE ASSEMBLY
 AND PROTECTION BAR**
 07/10/06
 STD. PLAN NO. **3007** SHT 4 OF 6

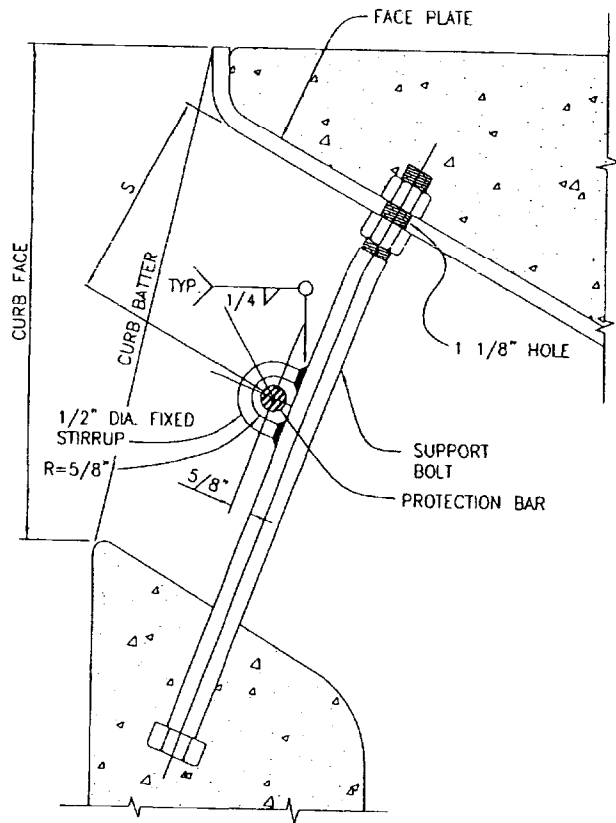
PROTECTION BAR AND SUPPORT BOLT(S) WITH
FIXED STIRRUP(S)-(TYPE B)



ELEVATION



EYE BOLT DETAIL



STIRRUP DETAIL

NOT TO SCALE



APPROVED BY:

Ricardo Sandoval 10.18.06
CITY ENGINEER DATE

RICARDO SANDOVAL

REVIEWED BY: *[Signature]*

DATE OF LAST REVISION: _____

CITY OF FONTANA

CATCH BASIN
FACE PLATE ASSEMBLY
AND PROTECTION BAR

07/10/06

STD. PLAN NO. 3007

SHT 5 OF 6

NOTES

GENERAL

1. ALL PARTS SHALL BE STEEL, EXCEPT SET SCREWS, WHICH SHALL BE STAINLESS STEEL OR BRASS.
2. EXCLUDING SET SCREWS, ALL EXPOSED METAL PARTS SHALL BE GALVANIZED AFTER FABRICATION.
3. CURB FACE SHALL BE NOTED ON THE PROJECT PLANS.
4. CURB BATTER SHALL BE 3:12 UNLESS OTHERWISE SPECIFIED.
5. DIMENSIONS SHOWN ON THIS PLANS ARE NOT EXACT EQUAL VALUES.

FACE PLATE

6. FACE PLATE LENGTHS SHALL BE CATCH BASIN W PLUS 12" EXCEPT AS MODIFIED FOR A "CURB OPENING CATCH BASIN AT DRIVEWAY".
7. WHEN THE LENGTH OF THE FACE PLATE IS BETWEEN 22' AND 43', TWO SECTIONS MAY BE USED. WHEN THE LENGTH EXCEEDS 43', THREE SECTIONS MAY BE USED. SECTIONS SHALL BE SPLICED ACCORDING TO THE APPLICABLE SPLICE DETAIL. SPLICE SHALL BE PLACED 1' FROM A SUPPORT BOLT.
8. WHERE CATCH BASINS ARE TO BE CONSTRUCTED ON CURVES, THE MAXIMUM CHORD LENGTH FOR THE FACE PLATE SHALL BE SUCH THAT THE MAXIMUM PERPENDICULAR DISTANCE TO THE TRUE CURVE SHALL NOT EXCEED 1". WHERE MORE THAN ONE CHORD IS REQUIRED, CHORD LENGTHS SHALL BE EQUAL. CHORD SECTIONS SHALL BE SPLICED ACCORDING TO THE APPLICABLE SPLICE DETAIL (MODIFIED TO FIT THE CHORD DEFLECTION) AND A SUPPORT BOLT SHALL BE PLACED 1' FROM THE SPLICE.
9. ROUND HEAD ANCHORS FOR THE FACE PLATE SHALL BE NELSON H-4F SHEAR CONNECTOR, KSN WELDING SYSTEMS DIVISION SHEAR CONNECTOR OR EQUAL.

SUPPORT BOLT

10. SUPPORT BOLTS ARE REQUIRED WHEN THE LENGTH OF THE CATCH BASIN OPENING IS 7' OR GREATER, AND SHALL BE EVENLY SPACED ACROSS THE OPENING. SPACING SHALL NOT BE LESS THAN 3'-6" ON CENTER NOR GREATER THAN 5' ON CENTER.

STIRRUP

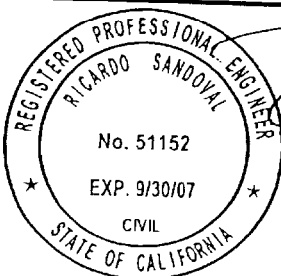
11. FOR TYPE A, MATERIAL SHALL BE CAST STEEL.

PROTECTION BAR

12. TYPE A SHALL BE USED UNLESS OTHERWISE SPECIFIED.
13. FOR TYPE A, THE BAR SHALL BE CUT TO FIT IN THE FIELD. WHEN "W" IS OVER 21', THE PROTECTION BAR SHALL CONSIST OF 2 OR MORE SECTIONS. A SPECIAL CONNECTOR BETWEEN THE PROTECTION BAR PIECES SHALL CONSIST OF A 5" LENGTH OF STANDARD 3/4" PIPE WITH STANDARD COUPLINGS FULLY THREADED ONTO EACH END DRILLED AND TAPPED FOR A SOCKET SET SCREW AS DETAILED FOR THE DOWNSTREAM AND END ANCHOR.
14. FOR TYPE B, THE BAR SHALL BE TWO PIECES. TWO EYE BOLTS AND A WELDED STIRRUP ON EACH SUPPORT BOLT ARE REQUIRED.
15. NUMBER OF PROTECTION BARS AND LOCATION(S) ARE AS FOLLOWS:

		MAXIMUM CURB FACE													
		6"	7"	8"	9"	10"	11"	12"	13"	14"	15"	16"	17"	18"	S D I M E N S I O N
C U R B B A T T E R	0:12	0	0	3.5"	3.5"	3.5"	4.5"	4.5"	5.5"	3.5"	3.5"	4.5"	4.5"	4.5"	
	1:12	0	0	3.5"	3.5"	3.5"	4.5"	4.5"	5.5"	3.5"	3.5"	4.5"	4.5"	5.5"	
	2:12	0	0	3.5"	3.5"	4.5"	4.5"	5.5"	3.5"	3.5"	4.5"	4.5"	5.5"	5.5"	
	3:12	0	0	3.5"	3.5"	4.5"	4.5"	5.5"	3.5"	4.5"	4.5"	5.5"	5.5"	4.5"	
	4:12	0	3.5"	3.5"	4.5"	4.5"	5.5"	3.5"	3.5"	4.5"	4.5"	5.5"	4.5"	4.5"	
		0	1				2*				3*				
		NUMBER OF PROTECTION BAR													

FOR OTHER CURB FACE OR BATTER SEE PROJECT PLANS
 *TYPE A PROTECTION BAR ONLY



APPROVED BY: *[Signature]* 10-18-06
 CITY ENGINEER
RICARDO SANDOVAL
 DATE
 REVIEWED BY: *[Signature]*
 DATE OF LAST REVISION: _____

CITY OF FONTANA
**CATCH BASIN
 FACE PLATE ASSEMBLY
 AND PROTECTION BAR**
 07/10/06
 STD. PLAN NO. **3007** SHT **6** OF **6**