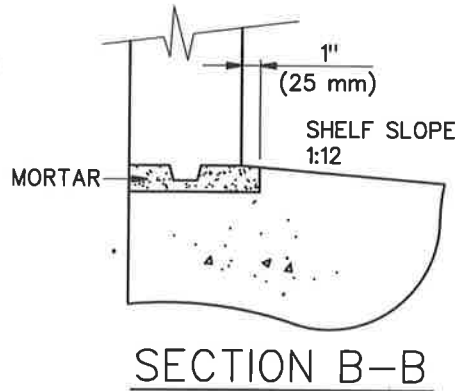
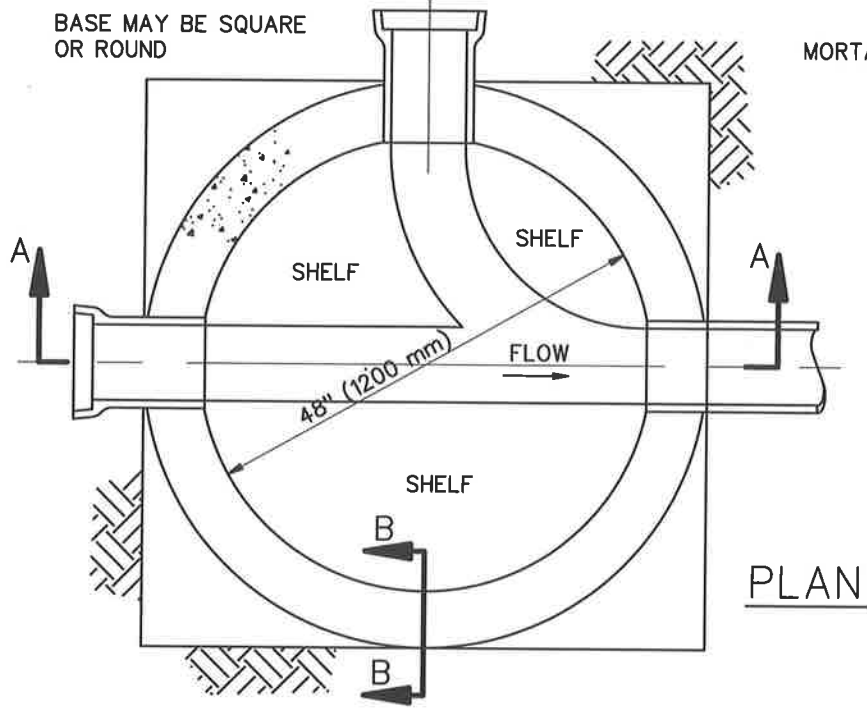


SECTION A-A



SECTION B-B



PLAN

GENERAL NOTE:  
EXCEPT AS SHOWN HEREON, MANHOLES SHALL CONFORM TO SPPWC 200.

STANDARD PLANS FOR PUBLIC WORKS CONSTRUCTION

PROMULGATED BY THE  
PUBLIC WORKS STANDARDS INC.  
GREENBOOK COMMITTEE  
1984  
REV. 2005, 2009, 2021

**PRECAST CONCRETE  
SHALLOW MANHOLE**

USE WITH STANDARD SPECIFICATIONS FOR PUBLIC WORKS CONSTRUCTION

STANDARD PLAN  
**201-3**  
SHEET 1 OF 1