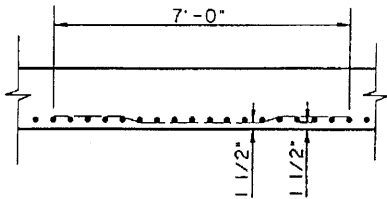
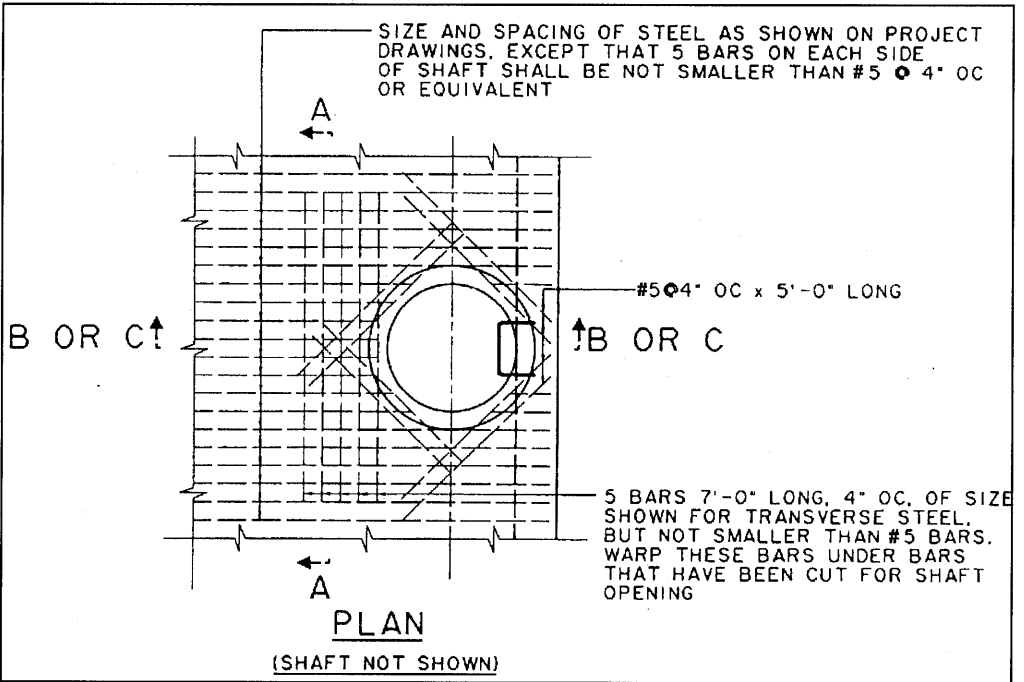
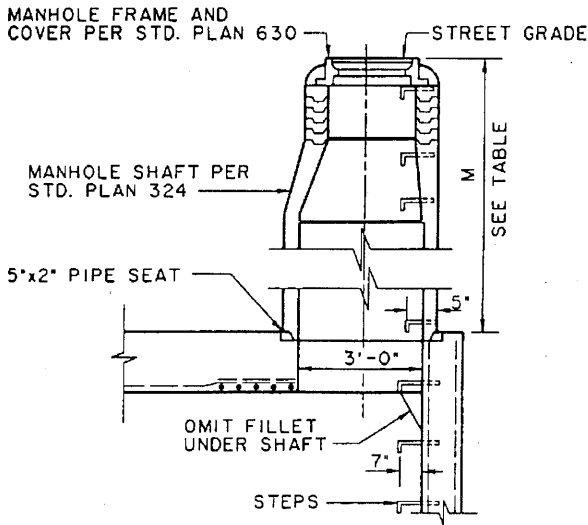


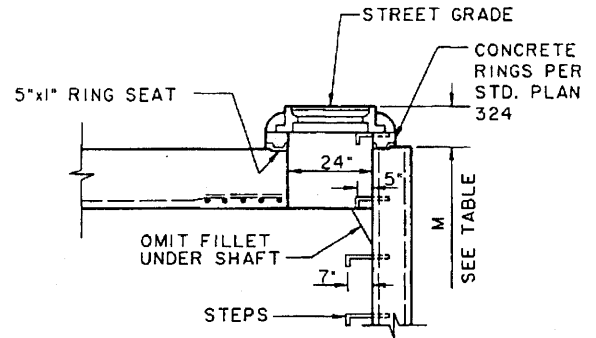
SIZE AND SPACING OF STEEL AS SHOWN ON PROJECT DRAWINGS, EXCEPT THAT 5 BARS ON EACH SIDE OF SHAFT SHALL BE NOT SMALLER THAN #5 @ 4" OC OR EQUIVALENT



SECTION A - A



SECTION B - B



SECTION C - C

SEE NOTE 1

TABLE OF VALUES FOR M (SEE NOTE 1)				
SECTION	PAVED STREET		UNPAVED STREET	
	MAX.	MIN.	MAX.	MIN.
B - B	-	2'-10 1/2"	-	3'-6"
C - C	(SEE NOTE 1)	8 1/2"	(SEE NOTE 1)	15"

A.P.W.A. STD. No. 323-0

REVISIONS:

APPROVED
08/21/01

CHRIS A. VOGT
CITY ENGINEER
RCE 44250



City of La Quinta

MANHOLE-CONCRETE BOX STORM DRAIN

STANDARD

343

SHEET 1 OF 2