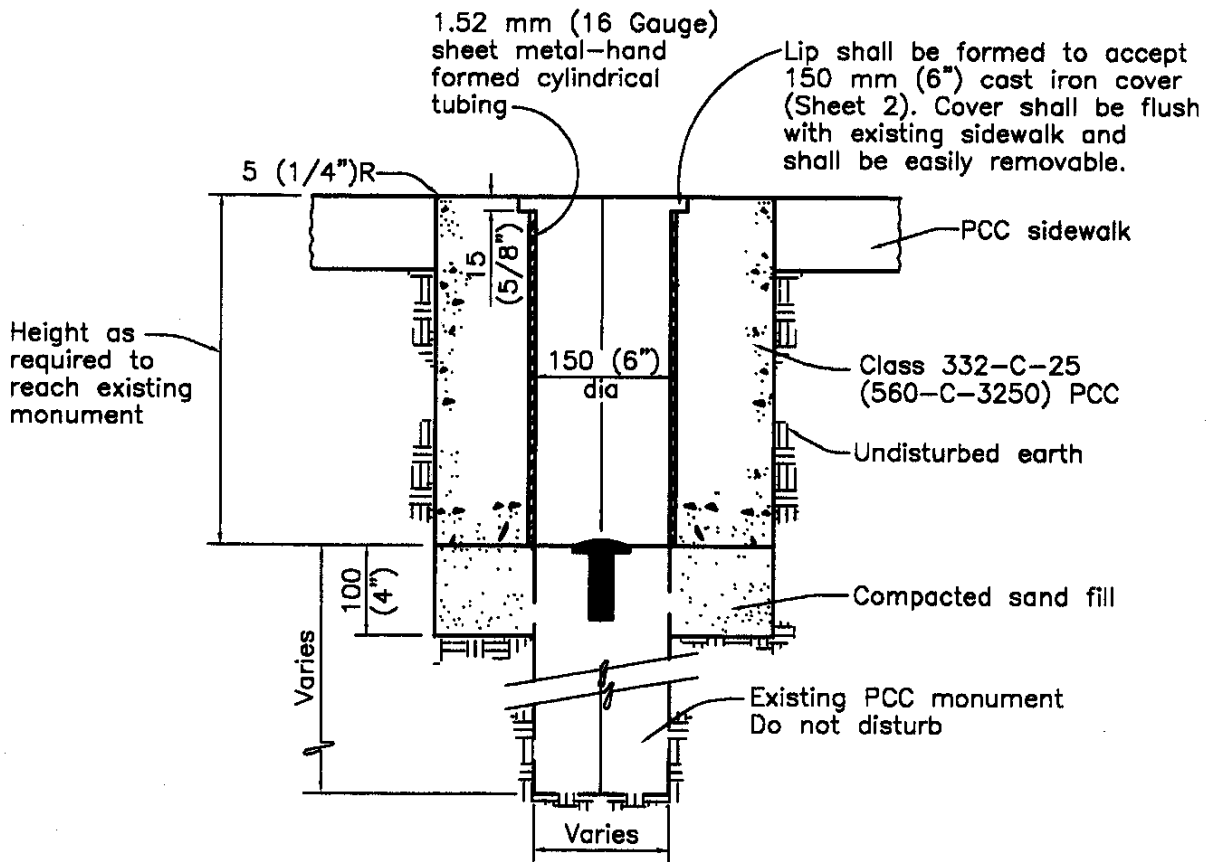


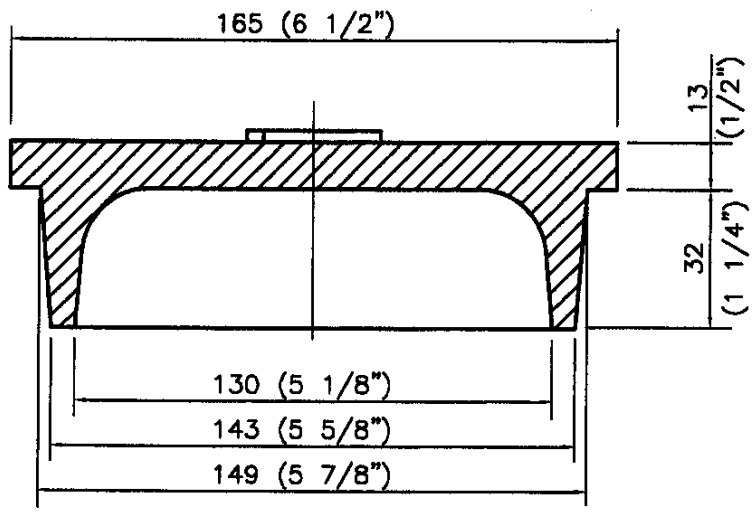
PLAN



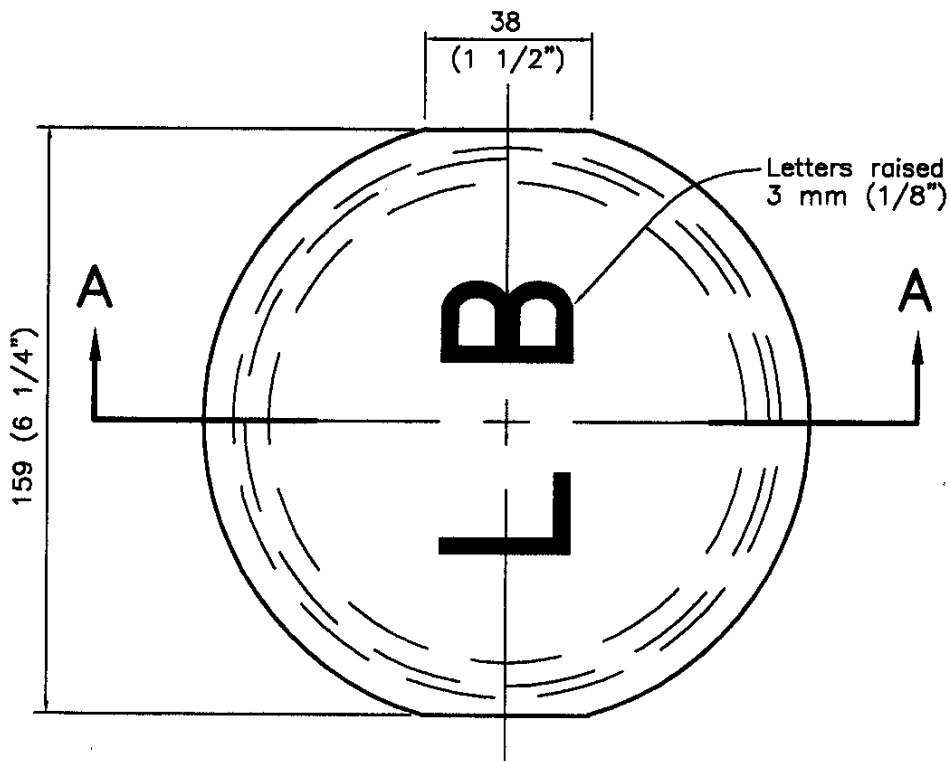
SECTION A-A

All dimensions are millimeters except as noted

REVISIONS		CITY OF LONG BEACH, CALIFORNIA DEPARTMENT OF PUBLIC WORKS	STANDARD PLAN NO.
NO.	DATE		METRIC
1	11/20/95	CASTING INSTALLATION FOR EXISTING TIE MONUMENTS	204
2	12/23/02		SHEET
3		APPROVED BY: <i>Mal Chittell</i>	DATE: <i>4/10/03</i>
4		CITY ENGINEER R.E. No. 40589	EX. DATE: <i>03/31/03</i>
			1 OF 2



SECTION A-A



PLAN

150 mm (6") CAST IRON COVER FOR EXISTING TIE MONUMENTS

All dimensions are millimeters except as noted

REVISIONS NO. DATE 1 11/20/95 2 12/23/02 3 4		CITY OF LONG BEACH, CALIFORNIA DEPARTMENT OF PUBLIC WORKS CASTING INSTALLATION FOR EXISTING TIE MONUMENTS		STANDARD PLAN NO. METRIC 204 SHEET 2 OF 2
APPROVED BY: <i>Mal Chittell</i> CITY ENGINEER R.E. NO. 40589		DATE: 1/10/03 EX. DATE 03/31/03		