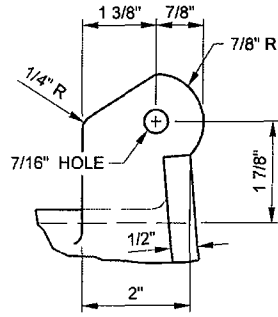


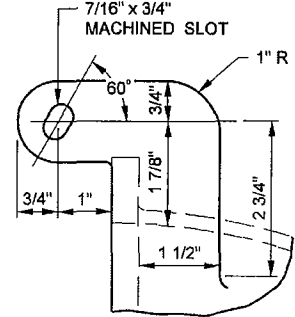
DIMENSIONS OF CASTINGS				
INLET DIA	A	B	R	L
10"	6"	9"	11"	14 3/4"
12"	7"	11"	13"	17 3/4"

**NOTES:**

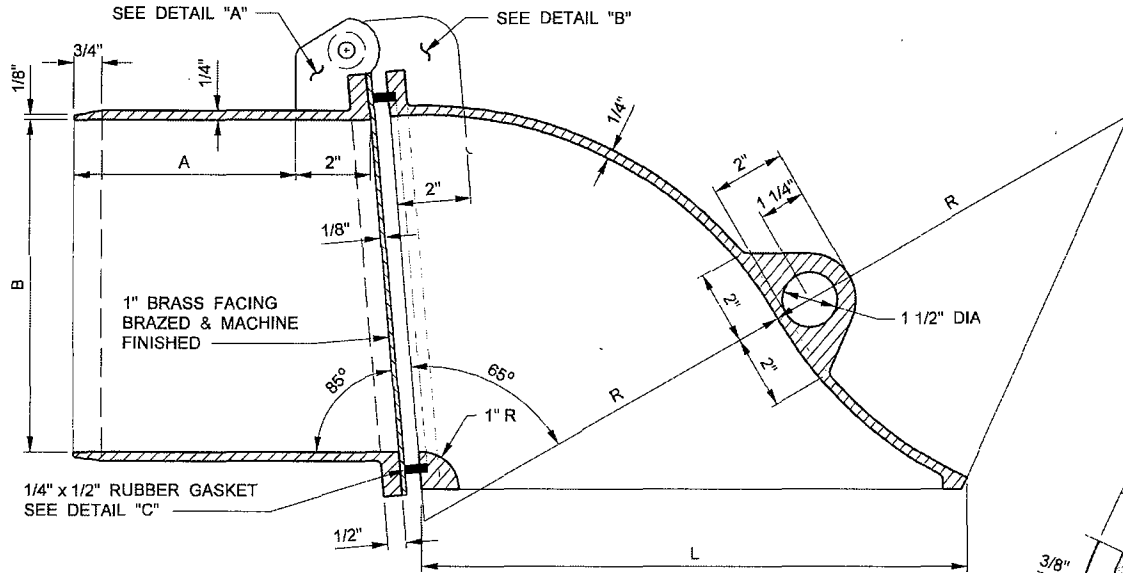
1. CAST IRON USED SHALL CONFORM WITH ASTM A-48 CLASS 35B.
2. FLANGES OF CASTING SHALL BE MACHINED FACED.
3. CASTINGS SHALL BE DIPPED TWICE IN HOT ASPHALT PAINT.
4. RUBBER GASKET SHALL BE NEOPRENE 35-50 SHORE.



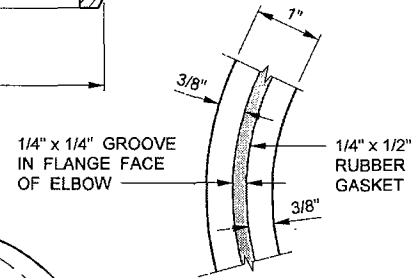
**DETAIL "A"**



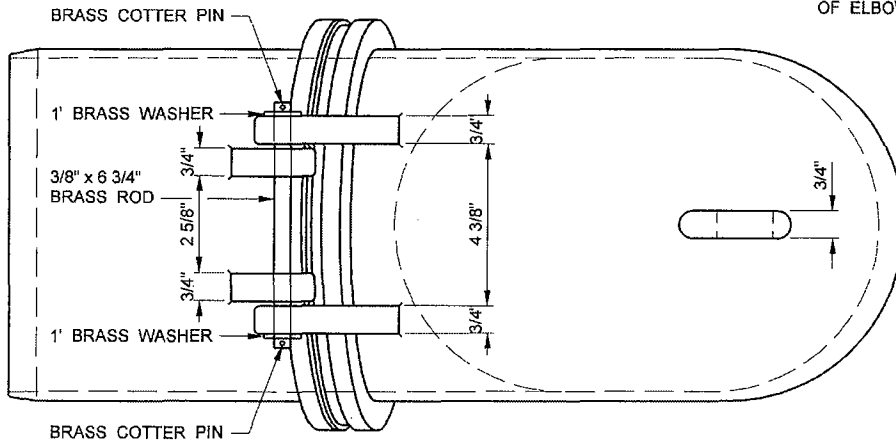
**DETAIL "B"**



**SECTIONAL VIEW**



**DETAIL "C"**



**PLAN VIEW**

COUNTY SANITATION DISTRICTS OF LOS ANGELES COUNTY  
OFFICE OF CHIEF ENGINEER

STEPHEN R. MAGUIN  
CHIEF ENGINEER

**STANDARD TRAP CASTING**

STANDARD DRAWING  
2006 EDITION  
**S - a - 2 1 1**  
SHEET 1 OF 1