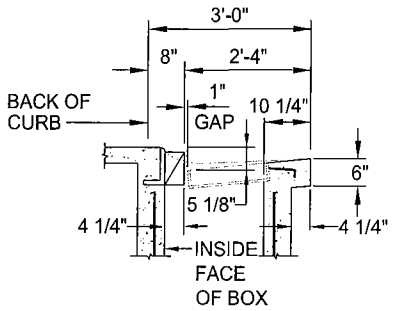
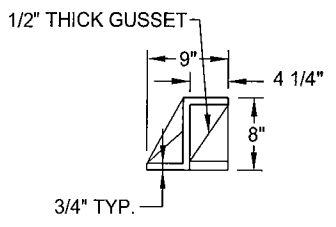


SECTION A-A
TYPE 2 C&G

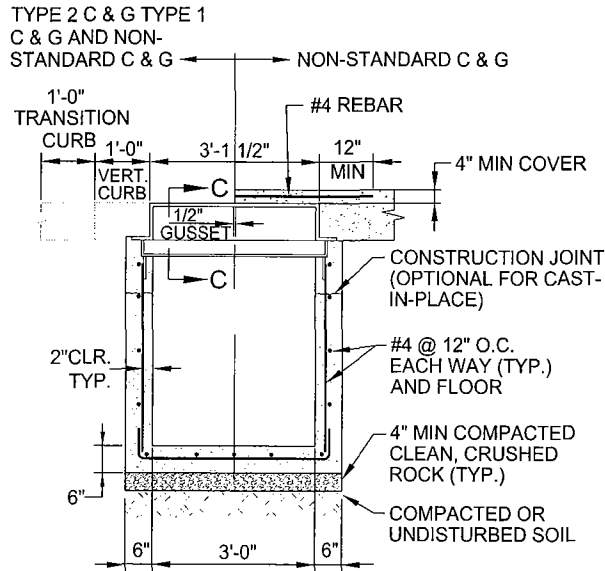


SECTION A-A
TYPE 1 C&G



SECTION C-C
OPEN BACK HOOD

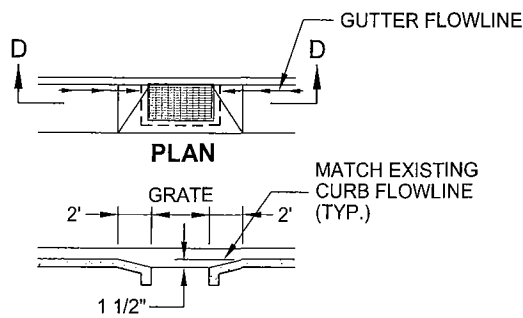
NOTE:
HOOD MAY BE CAST-IRON
OR STEEL



SECTION B-B

NOTES:

1. CAST-IN-PLACE CONCRETE DRAIN INLETS SHALL CONFORM TO SECTION 20 OF THE STANDARD SPECIFICATIONS. BOTTOM OF INLET SHALL BE PLACED AT SAME TIME AS SIDE WALLS, UNLESS NOTED OTHERWISE.
2. DROP INLET MAY BE PRE-CAST OR CAST-IN-PLACE. PRECAST DRAIN INLETS TO BE RATED FOR H20 LOADING AND SHALL BE APPROVED BY THE ENGINEER.
3. FRAME & GRATE SHALL CONFORM TO STANDARD DWG. S-40.
4. REBAR SHOWN FOR CAST-IN-PLACE.
5. IF PLACED NEXT TO PARK STRIP, EXTEND BACK WALL OF DROP INLET TO SURFACE.



SECTION D-D
STANDARD DEPRESSION

REV.	DATE	DESCRIPTION

CITY OF SACRAMENTO
DEPARTMENT OF UTILITIES

MODIFIED TYPE "B" D.I.
(WITH TRAP & SUMP)

APPR'D BY: *D. B. J.* NO SCALE
DATE: MAY 2007 DWG. NO. **S - 20**

R:\Utilists\City_Sta_Details\Sewer_Drainage\S-20