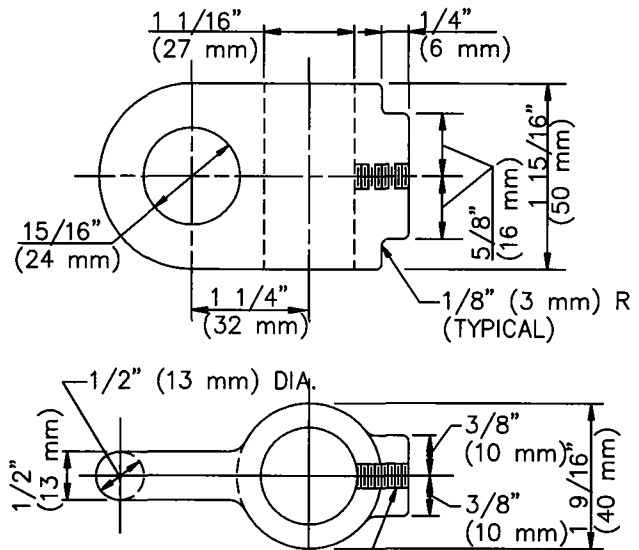
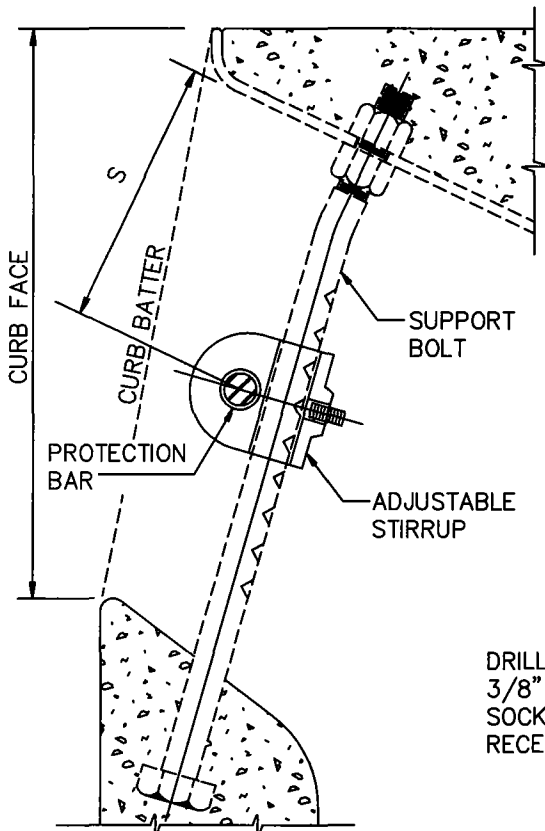
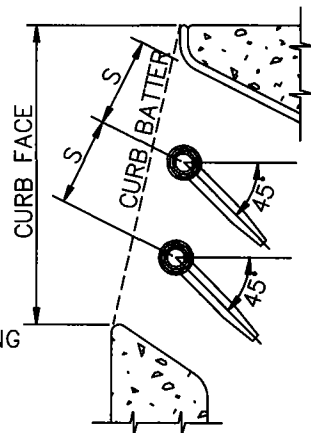
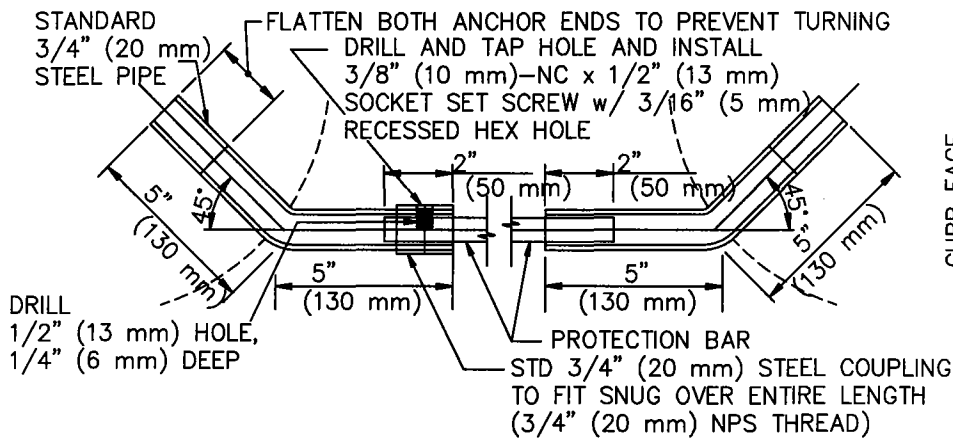
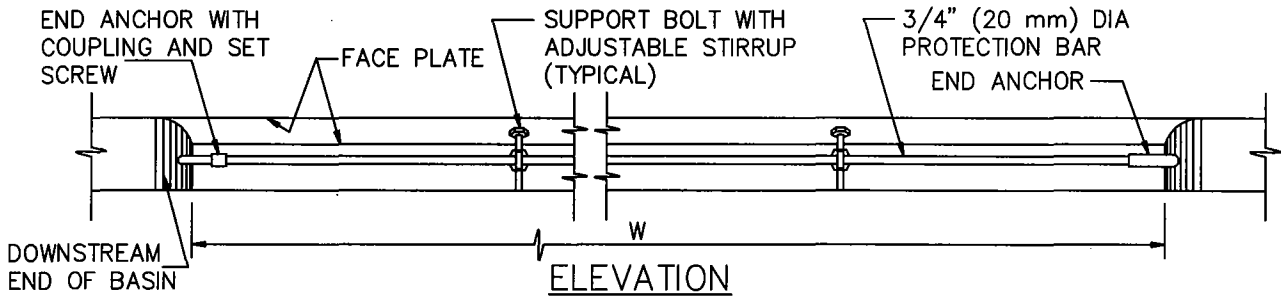


PROTECTION BAR AND SUPPORT BOLT(S) WITH ADJUSTABLE STIRRUP(S) - (TYPE A)



DRILL AND TAP HOLE AND INSTALL
3/8" (10 mm)-NC x 1/2" (13 mm)
SOCKET SET SCREW WITH 3/16" (5 mm)
RECESSED HEX HOLE