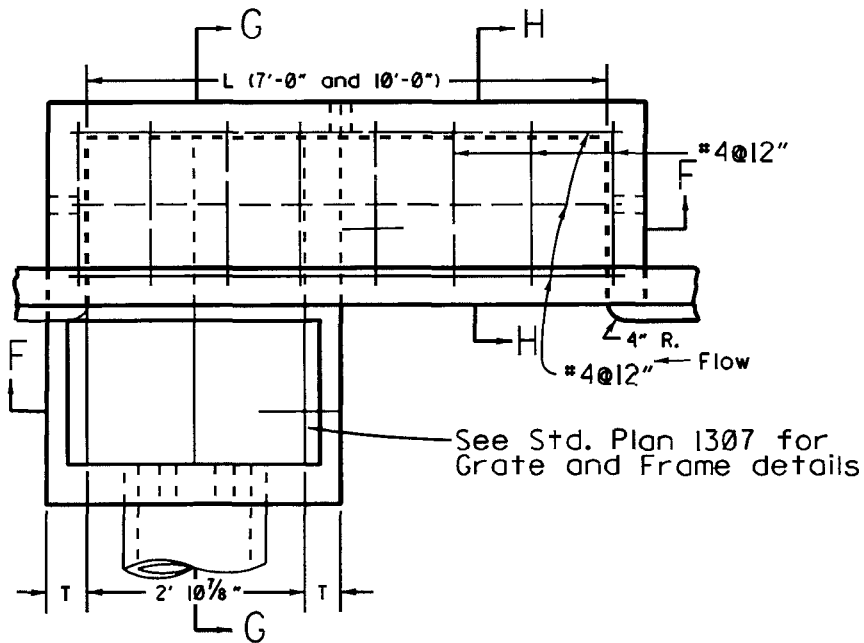


SECTION F-F

Curb Type	Curb Face Height	X	W
A 2-8	12"	2'-4"	1'-10"
A3-8 or A2-6	10"	2'-4 1/2 "	1'-10 1/2 "

H	T
8'-0" or less	6"
8'-1" to 20'-0"	8"



PLAN

ORANGE COUNTY RESOURCES & DEVELOPMENT MANAGEMENT DEPARTMENT

Approved

H. I. Nakasone
H. I. Nakasone, Chief Engineer

Adopted: Res. 77-92

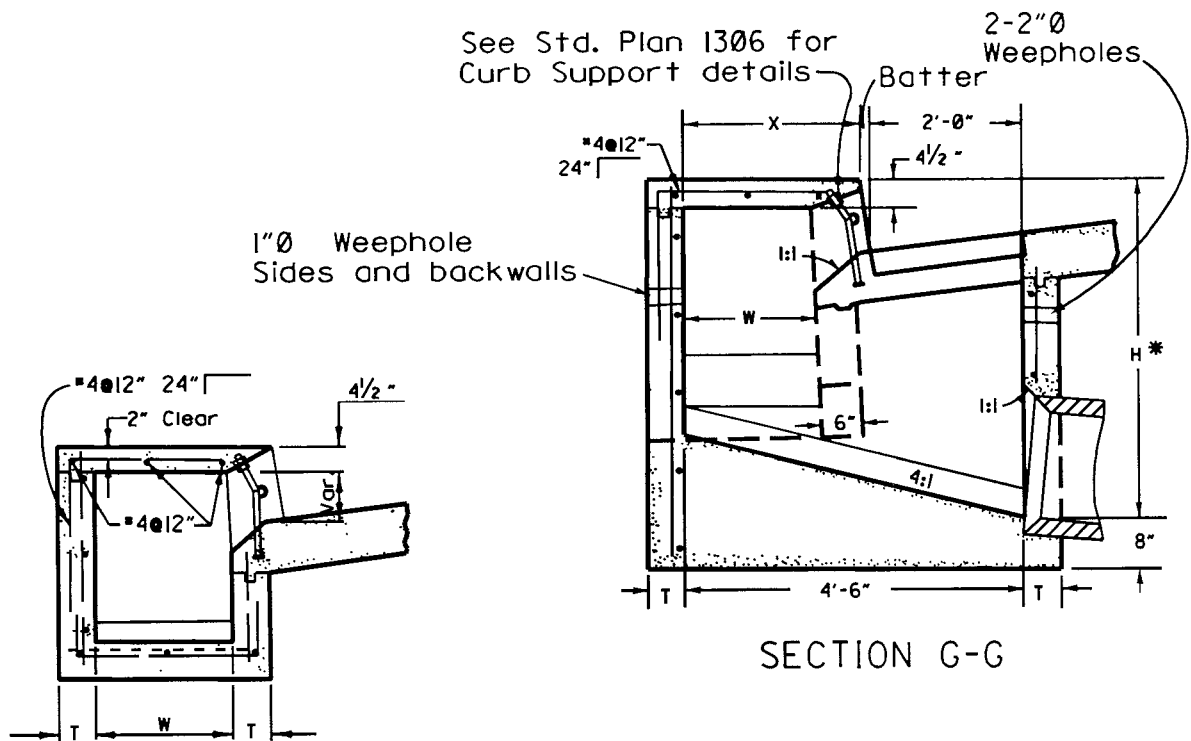
Revised: Res. 82-718; 86-1141; 96-546; 06-010

STD. PLAN

1303

INLET TYPE III

SHT. 1 OF 2



SECTION H-H

SECTION G-G

* When outlet pipe is constructed within roadway a minimum of 30" (County ord. No. 63.0322, 1961) or the roadway structural section thickness plus 6", whichever is greater, shall be maintained between the top of pipe and the roadway surface.

NOTES:

1. Curb opening shall conform to curb alignment.
2. See Std. Plans 1306 and 1307 for details and notes.
3. See Std. Plan 1308 for Local Depression details.
4. Deck including steel reinforcement shall be constructed the same width as sidewalk (up to 6' wide).
5. The following shall be stencilled using 2 inch high letters and black paint on the face of the curb adjacent to the inlet (either side) and on top of the inlet:

NO DUMPING
DRAINS TO OCEAN

ORANGE COUNTY RESOURCES & DEVELOPMENT MANAGEMENT DEPARTMENT

Approved

H. I. Nakasone
H. I. Nakasone, Chief Engineer

Adopted: Res. 77-92

Revised: Res. 82-718; 86-1141; 96-546; 06-010

STD. PLAN

1303

INLET TYPE III

SHT. 2 OF 2