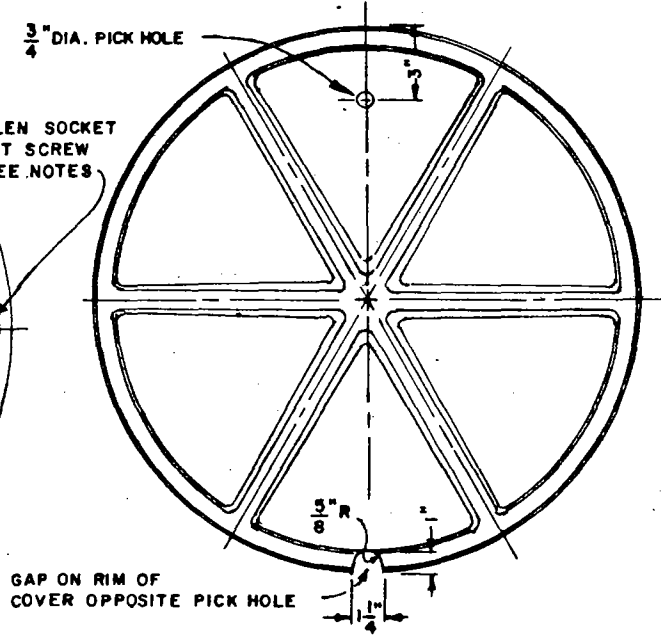
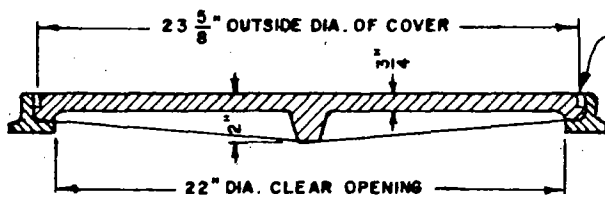


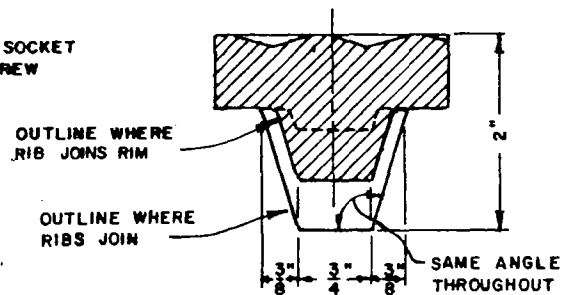
TOP OF MANHOLE FRAME AND COVER



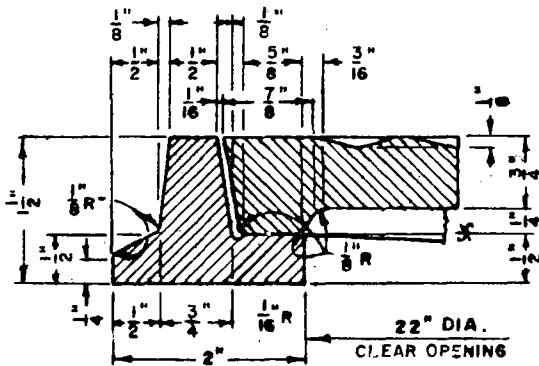
BOTTOM OF MANHOLE COVER



CROSS SECTION THRU FRAME AND COVER



CROSS SECTION THRU RIB AT MID RADIUS



CROSS SECTION THRU RIM

**NOTES**

1. FRAME AND COVER SHALL BE GRAY CAST IRON CONFORMING TO THE LATEST A.S.T.M. STANDARD A 48, CLASS 30 OR BETTER.
2. INSTALL TWO 3/4" x 3/4" ALLEN SOCKET SET SCREWS, 90° TO PICK HOLE, IN HOLES DRILLED AND TAPPED 1" IN DEPTH.
3. ALL PARTS OF THE FRAME AND COVER EXCEPT MACHINED SURFACES SHALL BE COATED WITH ASPHALTUM PAINT.
4. FRAME AND COVER SHALL BE TESTED FOR ACCURACY OF FIT AND SHALL BE MARKED IN SETS BEFORE DELIVERY.
5. FOUNDRY MARK SHALL BE SHOWN ON THE INSIDE OF THE FRAME AND ON THE BOTTOM OF THE COVER.
6. COVERS SHALL BEAR THE LETTER "D" FOR STORM DRAINS.
7. FRAME AND COVER SHALL BE POSITIONED SUCH THAT THE IDENTIFICATION LETTER IS PARALLEL WITH AND READABLE FROM THE STREET-SIDE OF THE CURB.

DATE <u>4-6-78</u>	<b>MANHOLE FRAME AND COVER</b>	SCALE <u>NONE</u>
CITY ENGINEER		ENGINEERING DEPARTMENT
	CITY OF PALM DESERT	STD. DRAWING NO. <u>D-15</u>