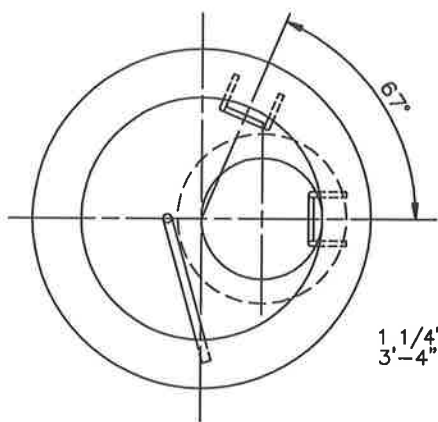
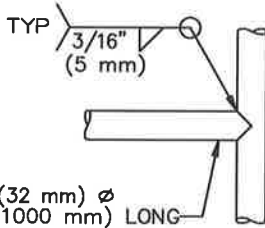


VERTICAL SECTION

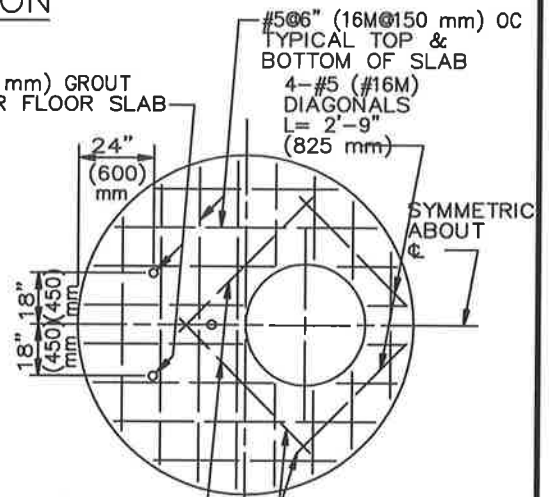


SECTION A-A



DETAIL "A"
ROTATED 90°

1 1/2" (40 mm) GROUT HOLES FOR FLOOR SLAB



4-#5 (#16M) DIAGONALS L= 4'-3" (1.3 m)

SECTION B-B
REINFORCEMENT DETAILS
FOR FLOOR AND ROOF SLABS

STANDARD PLANS FOR PUBLIC WORKS CONSTRUCTION

PROMULGATED BY THE
PUBLIC WORKS STANDARDS INC.
GREENBOOK COMMITTEE
1992
REV. 1996, 2009

MANHOLE SHAFT SAFETY LEDGE

USE WITH STANDARD SPECIFICATIONS FOR PUBLIC WORKS CONSTRUCTION

STANDARD PLAN

330-2

SHEET 1 OF 2