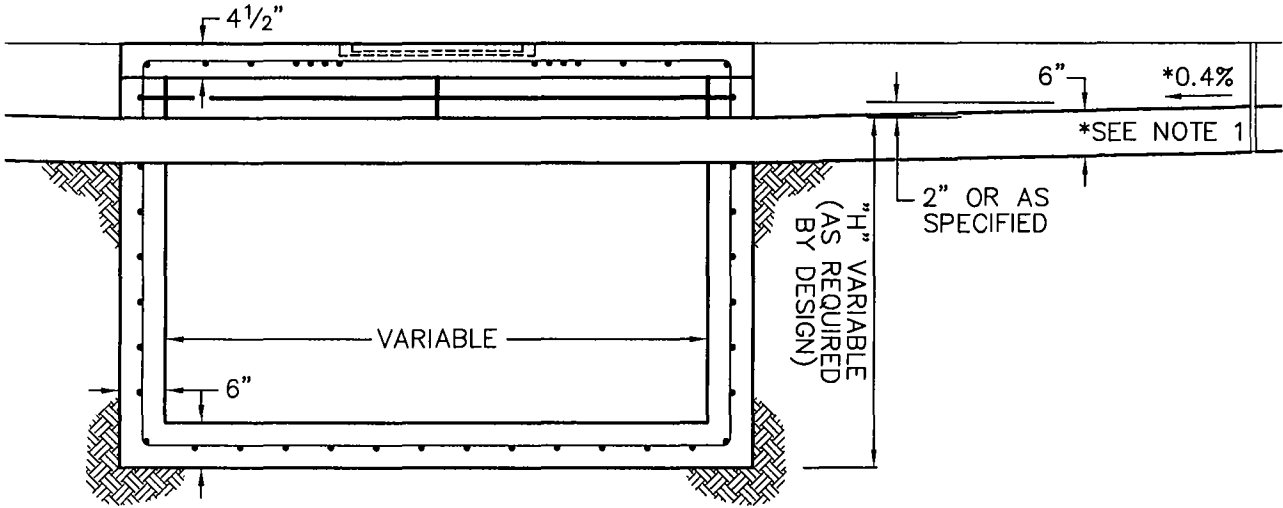


PLAN



SECTION

NOTES:

1. THE GUTTER CROSS SLOPE SHALL NOT EXCEED 8.33%. THE GUTTER FLOW LINE SHALL NOT BE LESS THAN 0.3% WITHIN 30 FEET OF THE EDGE OF THE DROP INLET OPENING. THE APRON TRANSITION MAY BE EXTENDED UP TO 15 FEET IN LENGTH.

REV.	DATE	BY
	1/26/65	J.H.F.
NOTES	5/1/77	M.A.T.

CITY OF VICTORVILLE - ENGINEERING DEPARTMENT

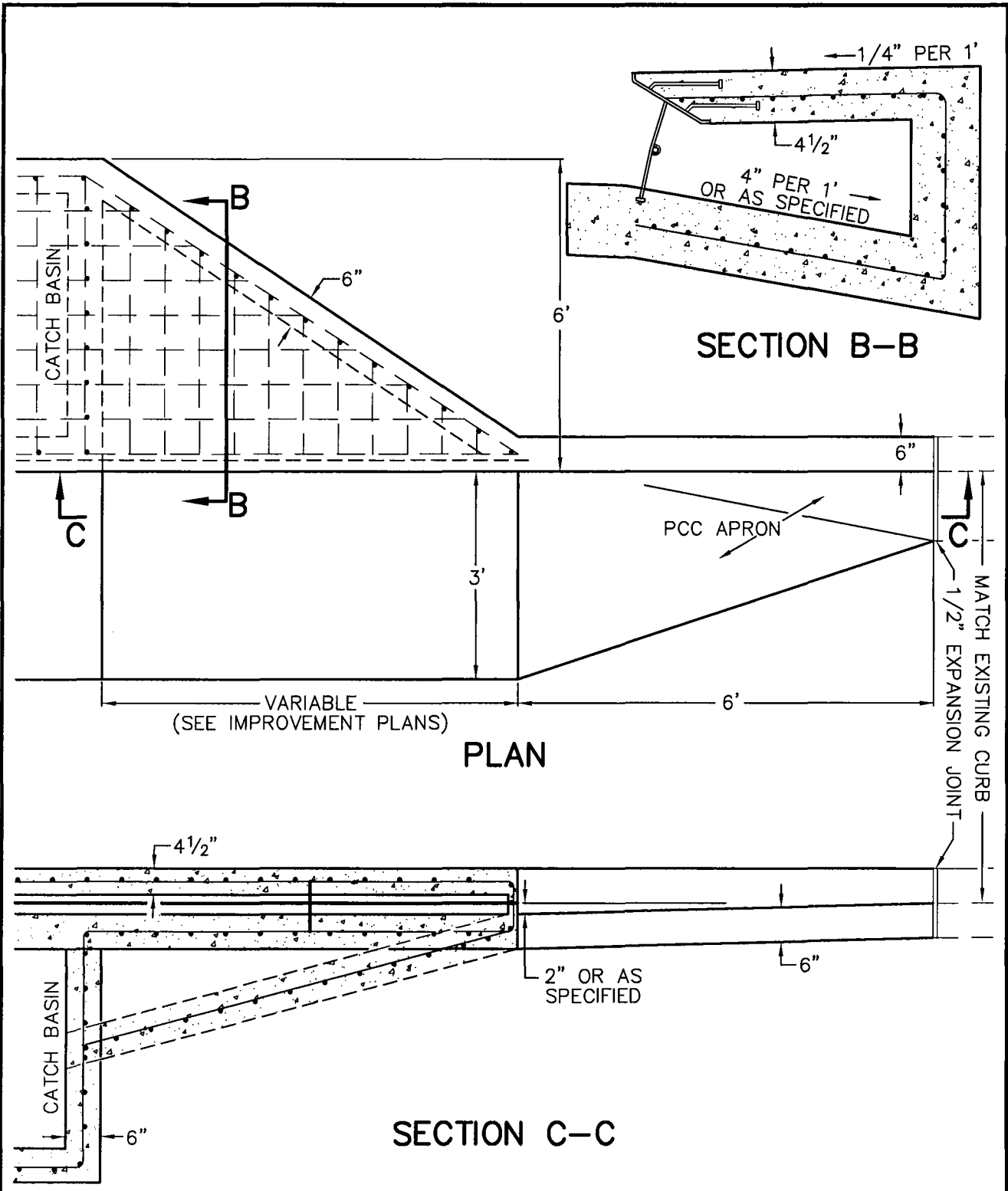
BOX WIDTH	DATE	BY
	3/21/78	X.S.S.
NOTES	7/1/94	D.G.H.
	6/1/07	STAFF

STANDARD DROP INLET

JOHN A. McGLADE, CITY ENGINEER

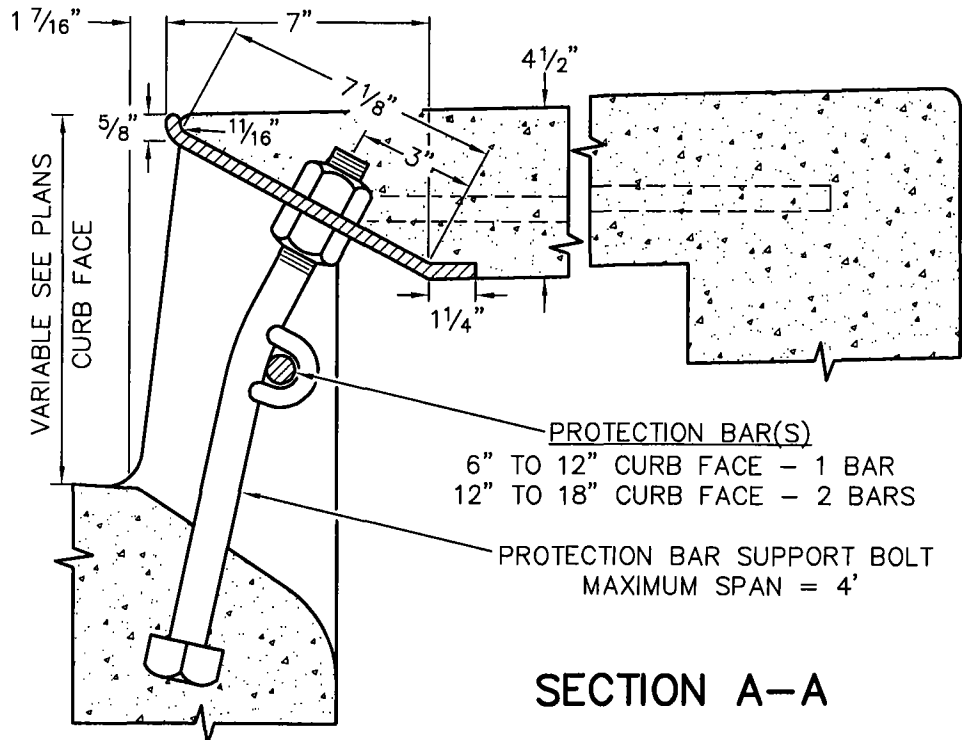
D-02

SHEET 1 OF 3



CITY OF VICTORVILLE - ENGINEERING DEPARTMENT

REV.	DATE	BY	SIDE INLET FOR STANDARD DROP INLET	D-02
	10/7/76	M.A.T.		
1	6/1/07	STAFF	JOHN A. McGLADE, CITY ENGINEER	SHEET 2 OF 3



SECTION A-A

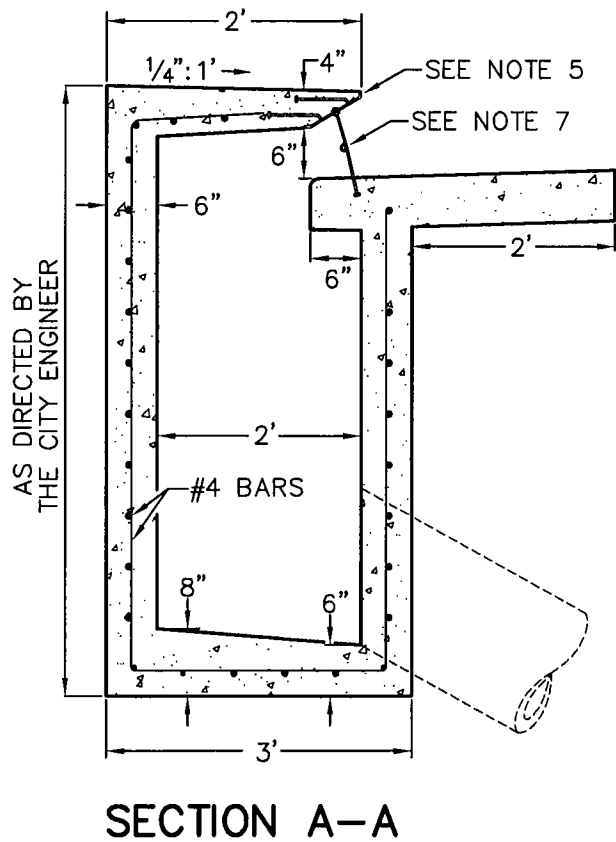
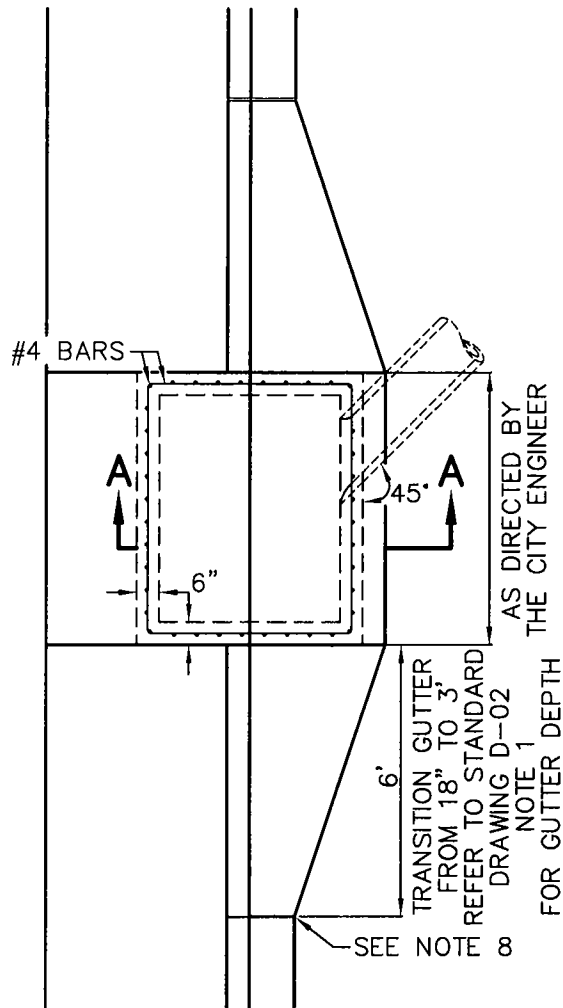
NOTES:

1. CONCRETE SHALL BE CLASS 1, PER SECTION 90-1.01 OF STANDARD SPECIFICATIONS.
2. ALL CONCRETE SHALL HAVE 4% AIR ENTRAINMENT.
3. SEE DRAWING S-01 FOR EXPANSION JOINT DETAIL.
4. FLOOR SLOPE SHALL BE 1" PER FOOT TOWARD OUTLET OR AS SPECIFIED ON THE PLANS.
5. REINFORCING SHALL CONSIST OF NO. 4 DEFORMED BARS AT 6" CENTERS EACH WAY UNLESS OTHERWISE NOTED.
6. ALL STEEL REINFORCING SPLICES SHALL BE LAPPED 40 DIAMETERS.
7. ALL STEEL REINFORCING JOINTS SHALL BE BENT TO 1" RADIUS AND EITHER CONTINUED OR LAPPED 40 DIAMETERS.
8. COVER SHALL BE BOLTED DOWN WITH 2 SOCKET SET SCREW BOLTS PER DETAILS ON STANDARD DRAWING D-04.
9. FRAME AND COVER SHALL BE ALHAMBRA FOUNDRY NO. A1530B, GALVANIZED, 22" DIAMETER OPENING OR EQUAL.
10. CURB PROTECTION PLATE SHALL BE ALHAMBRA FOUNDRY NO. A3911 OR EQUAL. PROTECTION BAR SHALL BE ALHAMBRA FOUNDRY A1564 OR EQUAL. PROTECTION BAR SUPPORT BOLTS SHALL BE ALHAMBRA FOUNDRY A1572 OR EQUAL.
11. STEPS - NONE REQUIRED WHERE "H" IS 3'6" OR LESS. INSTALL ONE STEP 16"± ABOVE FLOOR WHEN "H" IS 3'6" TO 5'0". WHERE "H" IS MORE THAN 5'0", STEPS SHALL BE EVENLY SPACED AT 12"± INTERVALS FROM 16"± ABOVE FLOOR TO WITHIN 12"± OF THE TOP OF THE BOX. PLACE STEPS IN WALL WITHOUT PIPE OPENINGS.
12. ALL EXPOSED METAL PARTS SHALL BE GALVANIZED.

REV.	DATE	BY
	1/26/65	J.H.F.

CITY OF VICTORVILLE - ENGINEERING DEPARTMENT

NOTES	5/1/77	M.A.T.	STANDARD DROP INLET	D-02
NOTES	7/1/94	D.G.H.		
	6/1/07	STAFF	JOHN A. McGLADE, CITY ENGINEER	SHEET 3 OF 3

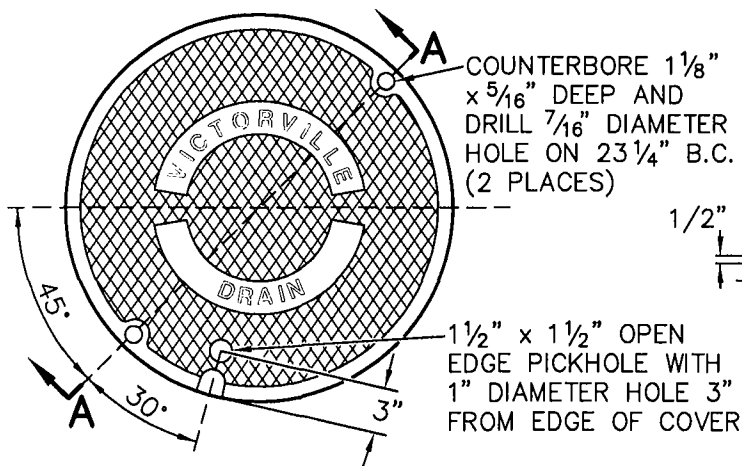


NOTES:

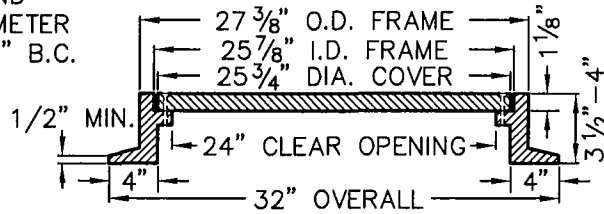
1. ALL CONCRETE SHALL CONTAIN NOT LESS THAN 550 POUNDS OF CEMENTITIOUS MATERIAL PER CUBIC YARD WITH 4% AIR ENTRAINMENT.
2. REINFORCING SHALL CONSIST OF NO. 4 DEFORMED BARS AT 6" CENTERS UNLESS OTHERWISE NOTED.
3. ALL STEEL REINFORCING SPLICES SHALL BE LAPPED 40 DIAMETERS.
4. BEND AND WELD REINFORCING BARS TO ROLLED PLATE. (SEE STANDARD DRAWING D-02).
5. ALL EXPOSED METAL PARTS SHALL BE GALVANIZED.
6. SEE STANDARD DRAWING D-02 FOR HARDWARE DETAIL.
7. SEE STANDARD DRAWING S-01 FOR EXPANSION JOINT DETAIL.

CITY OF VICTORVILLE - ENGINEERING DEPARTMENT

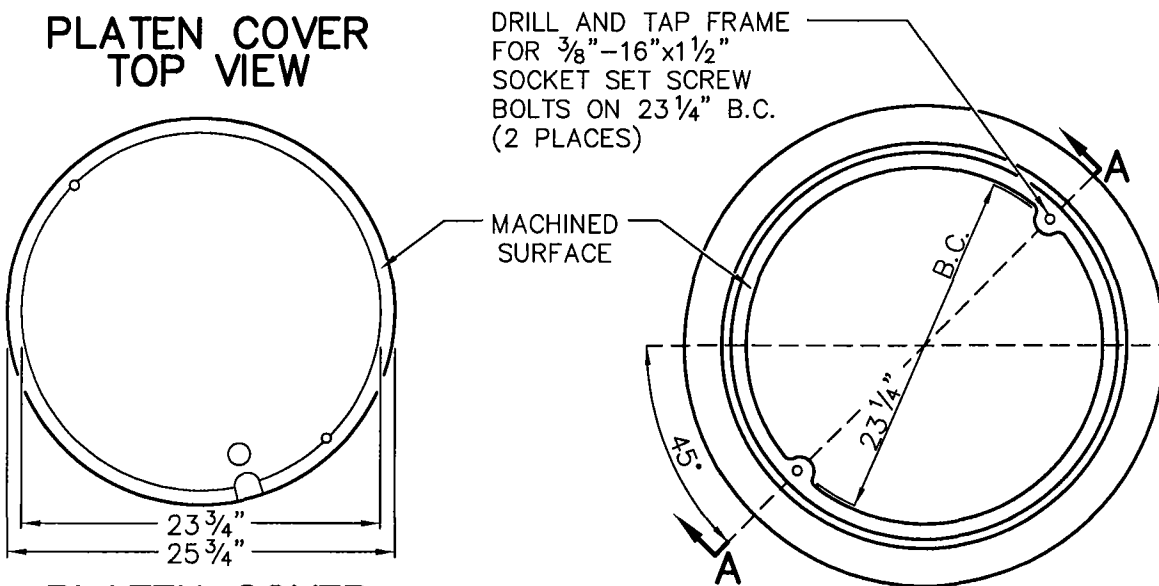
REV.	DATE	BY	STANDARD DROP INLET	D-03
	2/19/76	X.S.S.		
1	6/1/07	STAFF	JOHN A. McGLADE, CITY ENGINEER	SHEET 1 OF 1



**PLATEN COVER
TOP VIEW**



SECTION A-A



**PLATEN COVER
BOTTOM VIEW**

PLAN OF FRAME

NOTES:

1. MANHOLE FRAME AND COVER TO BE MANUFACTURED FROM CLASS 35 CAST IRON PER ASTM A-48.
2. FRAME AND COVER SHALL BE CAPABLE OF SUPPORTING H-20 WHEEL LOADING.
3. COVER SHALL HAVE CAST INTO TOP IN 1" HIGH MINIMUM BLOCK LETTERS "VICTORVILLE" OR "CITY OF VICTORVILLE" AND "DRAIN". MANUFACTURER'S NAME OR INSIGNIA SHALL BE CAST INTO BOTH FRAME AND COVER.
4. MACHINE MATING SURFACES OF FRAME AND COVER TO PROVIDE UNIFORM EDGE SUPPORT FOR COVER.
5. PAINT FRAME AND COVER WITH BLACK BITUMINOUS PAINT.
6. APPROVED SUPPLIERS: ALHAMBRA FOUNDRY #1254, NEENAH FOUNDRY #R-1593 AND SOUTH BAY FOUNDRY #SBF1253B.

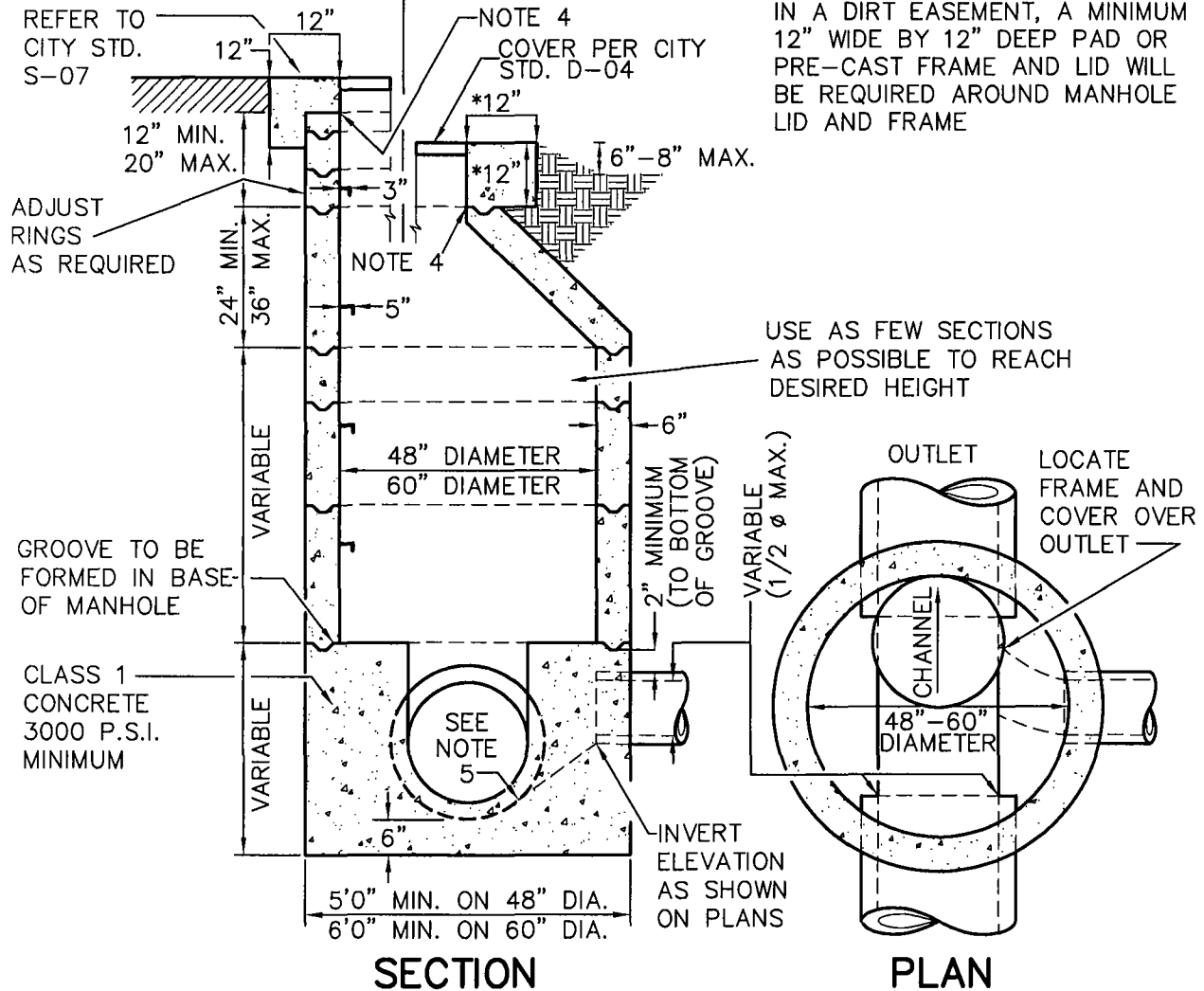
CITY OF VICTORVILLE - ENGINEERING DEPARTMENT

REV.	DATE	BY	STORM DRAIN MANHOLE FRAME AND COVER	D-04
	5/18/93	D.G.H.		
1	6/1/07	STAFF	JOHN A. McGLADE, CITY ENGINEER	SHEET 1 OF 1

**DETAIL FOR MANHOLES
IN PAVED SURFACES**

**DETAIL FOR MANHOLES
IN EASEMENTS***

* IN AREAS WHERE MANHOLE IS IN A DIRT EASEMENT, A MINIMUM 12" WIDE BY 12" DEEP PAD OR PRE-CAST FRAME AND LID WILL BE REQUIRED AROUND MANHOLE LID AND FRAME



NOTES:

1. ALL SECTIONS TO BE WASHED TO REMOVE ANY LOOSE MATERIAL AND WHILE STILL WET THEY ARE TO BE SET IN 1:3 MORTAR TRIMMED SMOOTH INSIDE AND OUTSIDE AT TIME OF SETTING INCLUDING FRAME, EXCEPT IN NOTE 3.
2. CONCRETE FOR MANHOLE SECTIONS 3000 P.S.I. MINIMUM.
3. ON ALL EASEMENT MANHOLES, THE CONTRACTOR SHALL ANCHOR FRAME TO CONCRETE SECTIONS BY THE USE OF EPOXY OR OTHER METHOD AS APPROVED BY THE CITY ENGINEER.
4. CONCRETE AROUND AND UNDER FRAME SHALL HAVE A MIX IN ACCORDANCE WITH THE SPECIFICATIONS AND SHALL BE CURED WITH WHITE PIGMENTED CURING COMPOUND.
5. INVERT CHANNELS, SHELF AND GROOVE SHALL BE FORMED MONOLITHICALLY WITH THE MANHOLE BASE. NO REWORKING OF CONCRETE WHICH HAS PARTIALLY HARDENED.

CITY OF VICTORVILLE - ENGINEERING DEPARTMENT

REV.	DATE	BY	PRECAST STORM DRAIN MANHOLE	D-05
	9/1/75	STAFF		
1	6/1/07	STAFF	JOHN A. MCGLADE, CITY ENGINEER	SHEET 1 OF 1