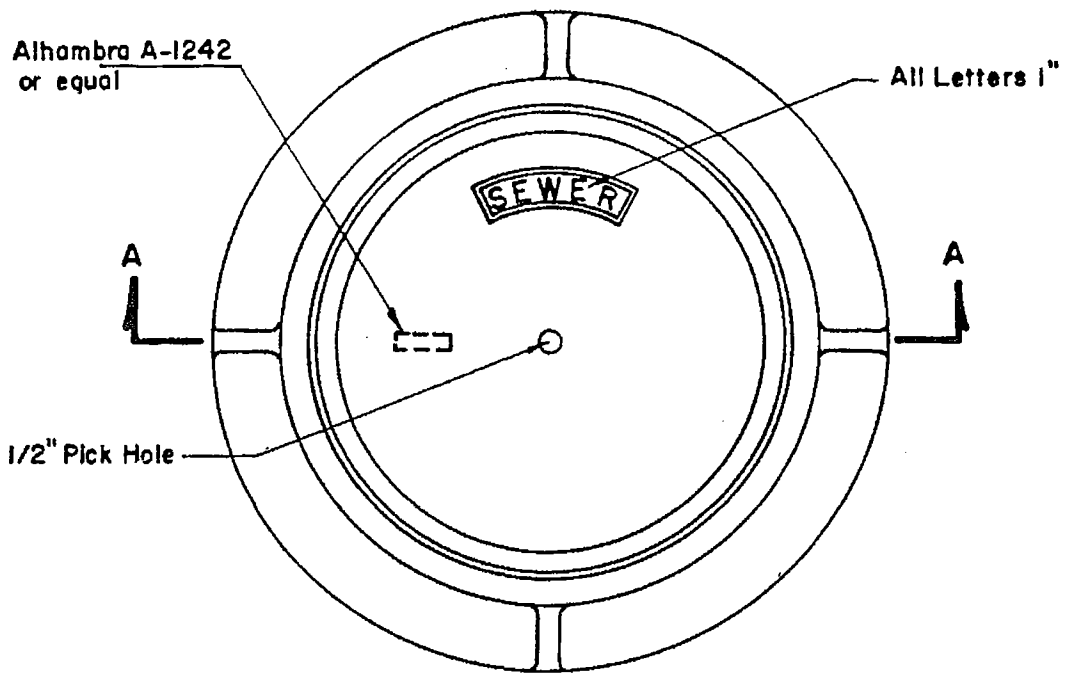
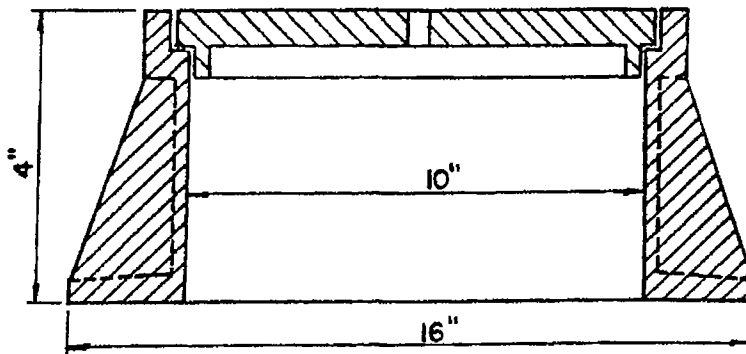


# CITY OF ADELANTO

## DEAD END FRAME & COVER



PLAN



SECTION A-A

NOTE: Covers and Frames machined to fit. Approximate weight = 68 lbs.

PLATE VII