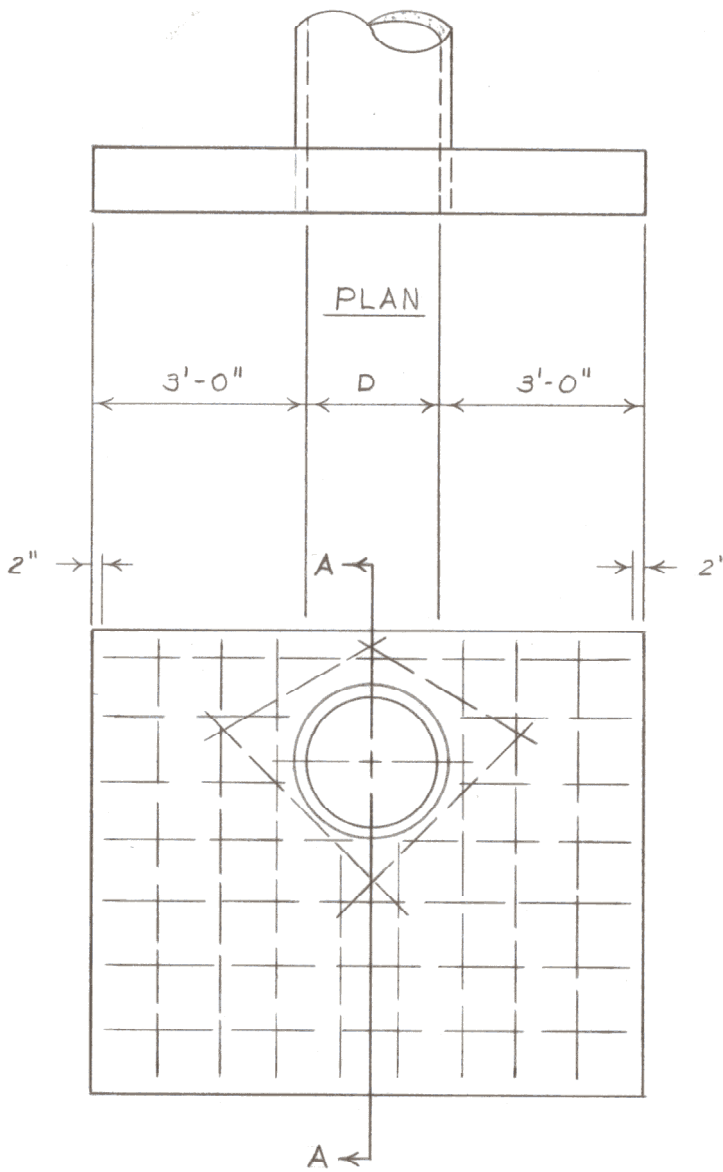
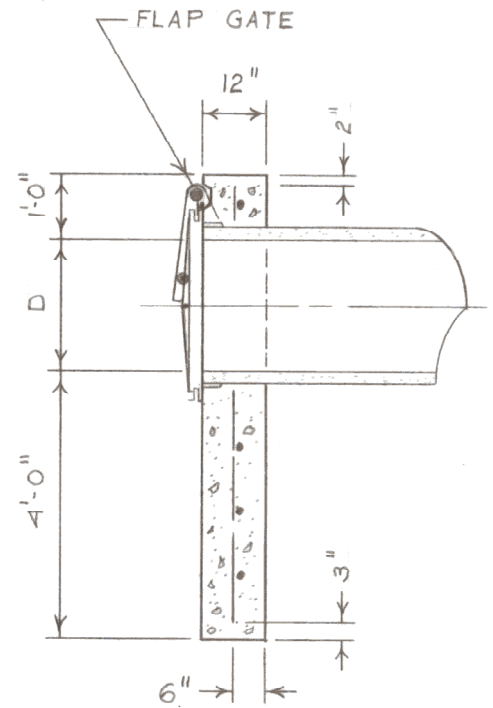


NOTES

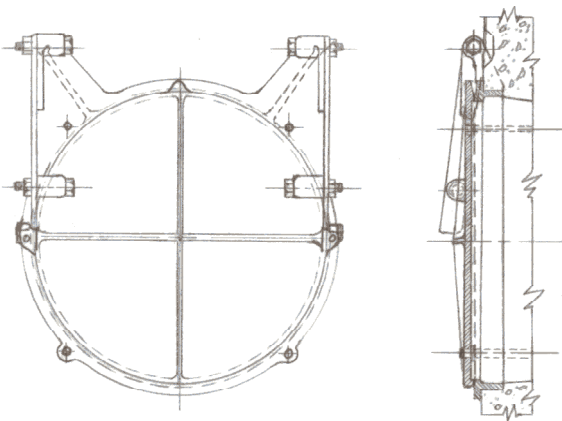
- (1) ALL CONCRETE TO BE CLASS A.
- (2) EXPOSED SURFACES TO BE FINISHED.
- (3) 'D' = INSIDE DIAMETER OF PIPE.
- (4) REBAR TO BE #4 @ 12" O.C. EACH WAY WITH CLEARANCES AS SHOWN ON THIS SHEET.
- (5) FLAP GATE TO BE ARMCO MODEL 10C OR EQUAL.



ELEVATION



SECTION A-A



(FRONT) (SIDE)
FLAP GATE DETAILS

CITY OF INDIO		
DEPARTMENT OF PUBLIC WORKS		
GRAVITY TYPE HEADWALL		
DATE <u>DEC. '77</u>	SCALE <u>NONE</u>	DWG.# <u>SS-36</u>
APPD. <u>[Signature]</u>	DWN. BY <u>G.H.</u>	SH. <u>1</u> OF <u>1</u>