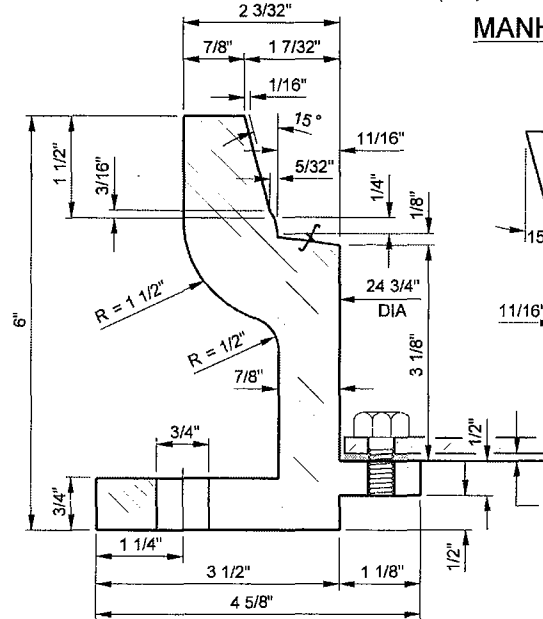
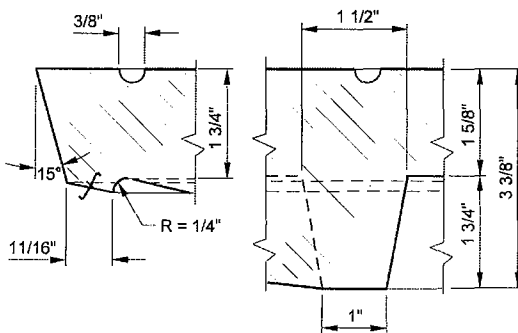


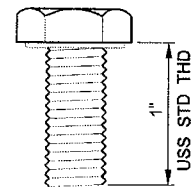
**SECTION
MANHOLE FRAME AND COVER**



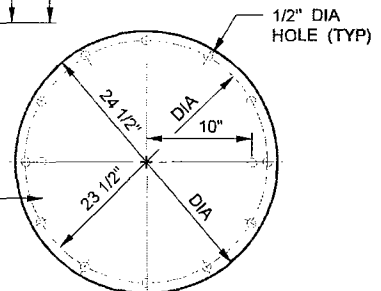
SECTION A-A



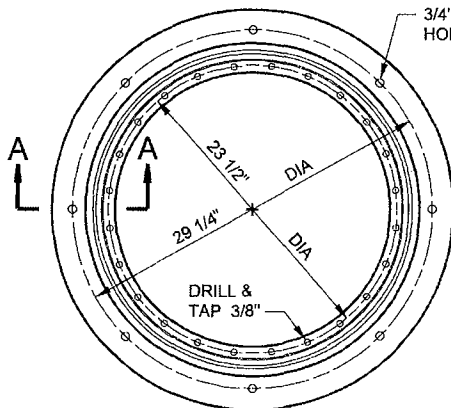
SECTION B-B



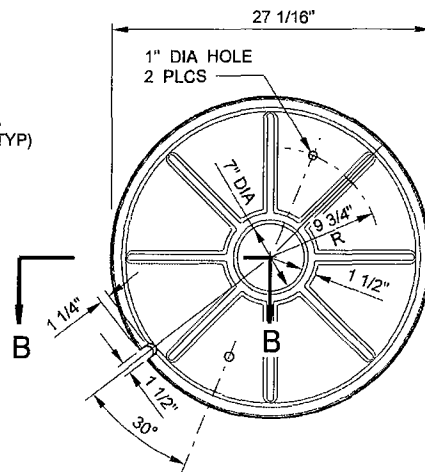
**3/8" x 1" TYPE 316
SS CAP SCREW
(12 REQUIRED)**



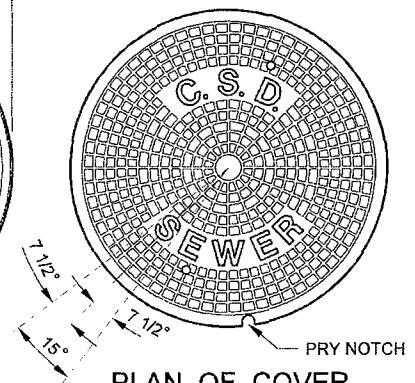
PRESSURE PLATE



PLAN OF FRAME



**PLAN OF COVER
BOTTOM VIEW**



**PLAN OF COVER
TOP VIEW**

**NOTE:
FOR NOTES SEE S-a-207.**

COUNTY SANITATION DISTRICTS OF LOS ANGELES COUNTY
OFFICE OF CHIEF ENGINEER

STEPHEN R. MAGUIN
CHIEF ENGINEER

**STANDARD 24" PRESSURE MANHOLE
FRAME AND COVER**

STANDARD DRAWING
2006 EDITION
S - a - 208
SHEET 1 OF 1