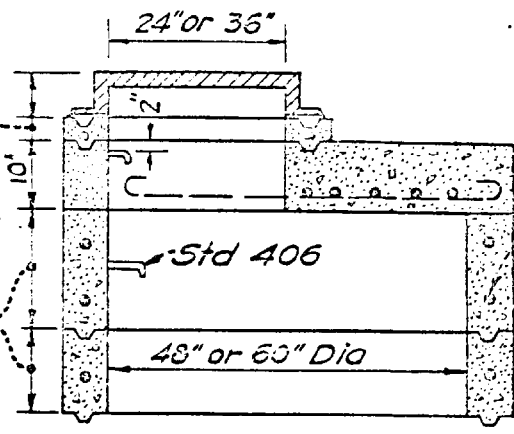


SIMILAR TO EXCEPT AS INDICATED
 ORANGE CO. NO. _____
 STATE OF CALIF. -- THIS
 THUS
 SUPERSEDES: _____
 DATE: _____
 REV. _____
 DATE: 8-66

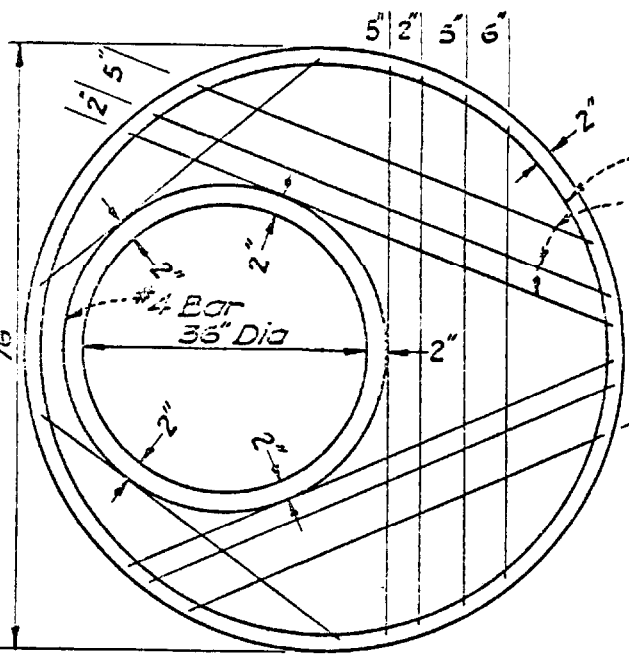
3", 6" or 16" Rings

12", 16", 24", 32", 36" or 48" Man-hole pipe to make required depth.

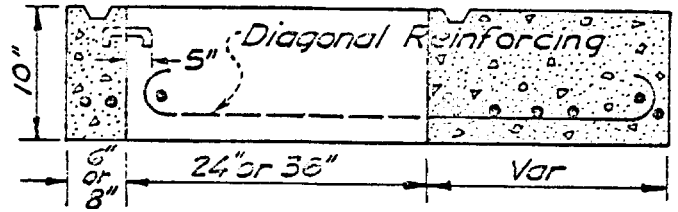


Hoop #4 wire cast into each section as shown.

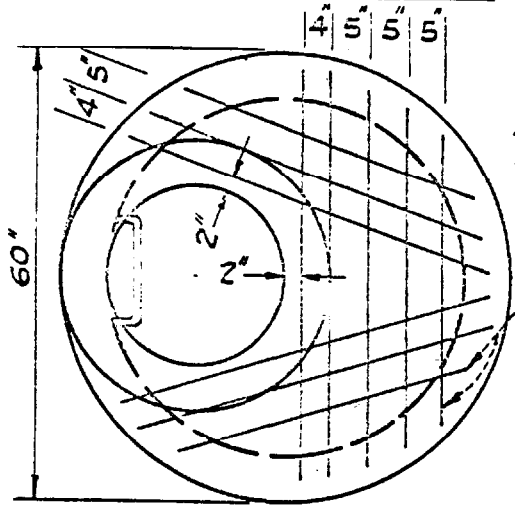
TYPICAL SECTION
FLAT TOP MANHOLE



PLAN OF 60" COVER WITH
36" ACCESS

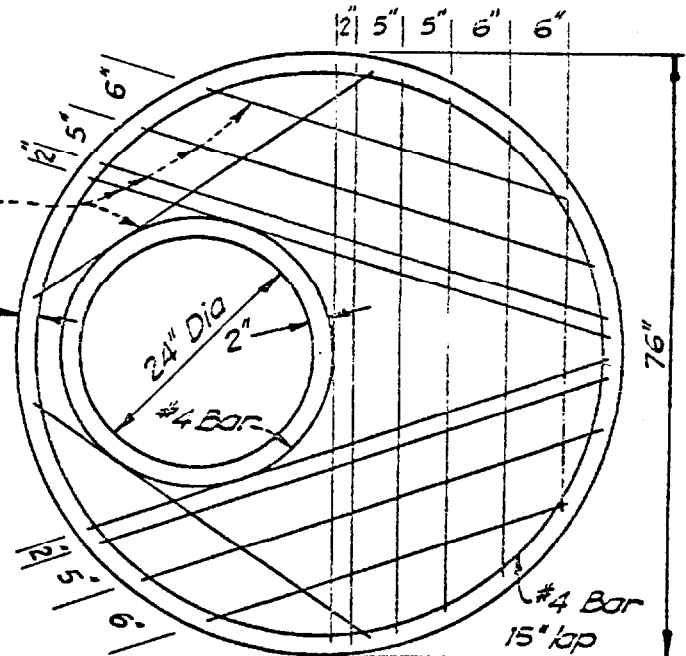


TYPICAL SECTION
FLAT TOP COVER



PLAN OF 48" COVER
WITH 24" ACCESS

(16) #4 Bars hooked at each end
(11) #5 Bars Hooked at each end



PLAN OF 60" COVER
WITH 24" ACCESS

CITY OF BREA

Richard P. Downey
CITY ENGINEER

STANDARD SHEET 1 OF 2

FLAT TOP MANHOLE

405

UNLESS OTHERWISE SPECIFIED ON PLANS AND SPECIFICATIONS:

1. The "flat top" may be invoked to:
 - a. obviate interference
 - b. provide shallow sewer manhole
 - c. make access shaft or vault
2. For manhole base and junction chamber, see STD 407.
3. Station of manholes shown on the plans apply at centerline of manhole. Elevations are at manhole center and refer to the invert grade line prolonged.
4. All mortar and grout shall consist of one part portland cement and two parts sand.
5. All precast sections shall be centrifugally spun or vibrated in metal forms.
6. Set the precast bottom section on a bed of grout having a minimum thickness of 1/2", placed on the manhole base.
7. All sections shall be joined with a bed of grout having a minimum thickness of 1-1/2".
8. In applications where possible; install a maximum height of 21 inches for the 24/36 ID section, wherein there is a maximum of three 3-inch grade rings.
9. The manhole frame (STD 408) shall be set on a bed of grout, having a minimum thickness of 1/2 inch, placed on the top ring and shall have a grout fillet from the top ring to the top of the frame over the complete periphery.

SIMILAR TO EXCEPT AS UNDERLINED, THUS ORANGE CO NO. _____

SUPERSEDES: DATED: _____

DATE: 4-8-64 REV: _____

APPROVED SOURCE			
WALL THICK.		NAME	ADDRESS
48"	60"		
6"	8"	<i>Associated Concrete Products, Inc.</i>	<i>4025 W. Tolbert Ave, Santa Ana</i>
4 1/8"	5"	<i>American Pipe & Construction Co.</i>	<i>4635 Firestone Blvd, South Gate</i>

CITY OF BREA

STANDARD SHEET 2 OF 2

FLAT TOP MANHOLE

405