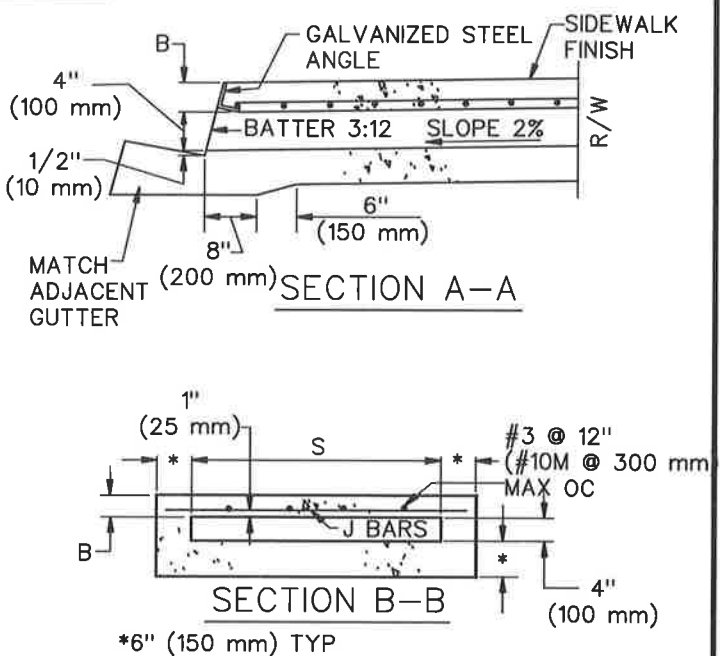


S	J BAR SPACING	ANCHORS	NOTE
12" (300 mm)	7" (180 mm)	2	9
18" (450 mm)	7" (180 mm)	2	9
24" (600 mm)	7" (180 mm)	2	9
30" (750 mm)	7" (180 mm)	2	9
36" (900 mm)	7" (180 mm)	3	9
42" (1050 mm)	6" (150 mm)	3	9
48" (1200 mm)	5" (125 mm)	3	9
54" (1350 mm)	6-1/2" (165 mm)	3	10
60" (1500 mm)	5" (125 mm)	3	10
66" (1650 mm)	4" (100 mm)	3	10
72" (1800 mm)	3-1/2" (90 mm)	3	10



STANDARD PLANS FOR PUBLIC WORKS CONSTRUCTION

PROMULGATED BY THE
PUBLIC WORKS STANDARDS INC.
GREENBOOK COMMITTEE
1993
REV. 1998, 2009, 2021

PARKWAY DRAIN

STANDARD PLAN
151-3
SHEET 1 OF 2

USE WITH STANDARD SPECIFICATIONS FOR PUBLIC WORKS CONSTRUCTION