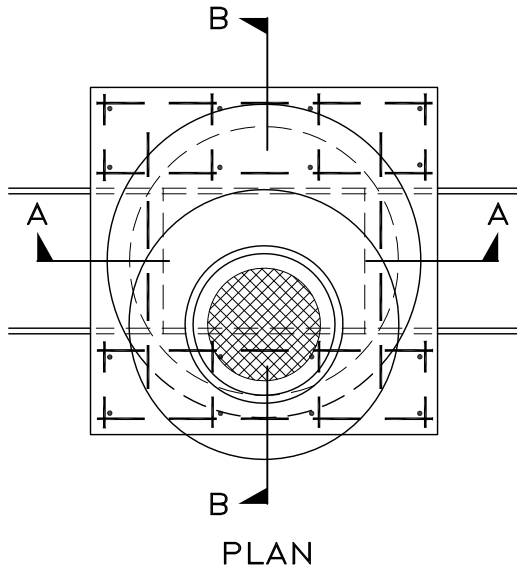


SECTION A-A

SECTION B-B

NOTES:

- ① MANHOLE COVER AND FRAME SHALL BE PHOENIX P-1090, S.B. FOUNDRIES 1900, OR EQUAL, LETTERED "STORM SEWER".
- ② COLLAR SHALL BE CONSTRUCTED PER ENGINEERING STANDARD #6040.
- ③ ADJUSTING RINGS AS NEEDED, GROUTED ON THE INSIDE.
- ④ STEPS, REQUIRED WHEN DEPTH EXCEEDS 4', SHALL BE STEEL-REINFORCED POLYPROPYLENE STEP PER ASTM C-478, MA INDUSTRIES PS-2-PFS, OR EQUAL.
- ⑤ PRECAST SHAFT(S) AND ECCENTRIC CONE PER ASTM C-478. STRAIGHT SIDE OF CONE SHALL BE POSITIONED OVER SHELF. CONCENTRIC CONE MAY BE USED ONLY WITH WRITTEN APPROVAL OF CITY ENGINEER.
- ⑥ JOINTS SHALL BE SET WITH BUTYL RUBBER SEALANT - (RUB'R-NEK).
- ⑦ MANHOLE BASE SHALL BE CLASS 2 P.C.C., AND REST ON UNDISTURBED MATERIAL. BOTTOM SHAFT SHALL BE WET-SET OR SET IN FORMED GROOVE.
- ⑧ PIPE SHALL BE LAID THROUGH MANHOLE, AND TOP PORTION REMOVED AFTER BASE IS POURED. TROUGH SHALL HAVE STEEL-TROWEL FINISH, VERTICAL SIDES, ROUNDED CORNERS. TOP SURFACE SHALL HAVE 8.33% SLOPE TOWARD TROUGH.
- ⑨ #4 @ 18" O.C.
- ⑩ #4 X 4' (2 TOTAL)
- ⑪ #4 X 5' (8 TOTAL)



PLAN

REVISIONS	BY	APP	DATE
New border	JDL	WAP	9-97
Revise re-bar specs	JDL	WAP	11-98
STANDARD CURRENT AS OF: January 2008			



STORM DRAIN MANHOLE
18" to 36" PIPE