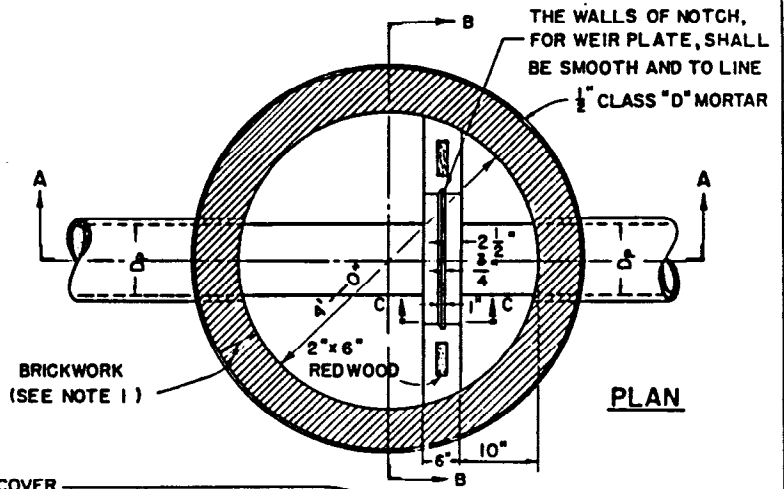
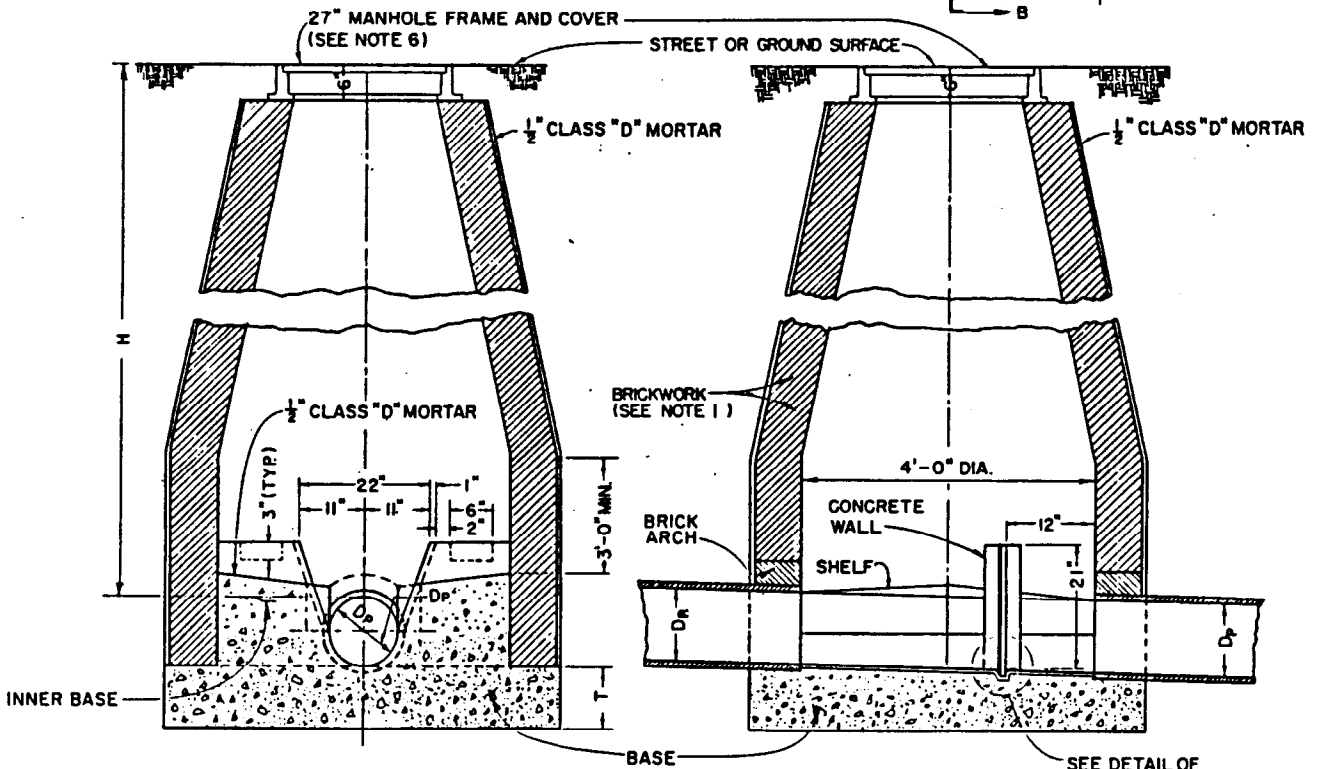


DETAIL OF NOTCH



PLAN



SECTION C-B

SECTION A-A

BUREAU OF ENGINEERING

DEPARTMENT OF PUBLIC WORKS

CITY OF LOS ANGELES

WEIR MANHOLE TYPE I

STANDARD PLAN
S-145-0

SUBMITTED *Oct 5 1984*

REVISIONS

SUPERSEDES

REFERENCES

Robert J. Rose
ENGINEER OF DESIGN
Robert J. Rose
DEPUTY ENGINEER

NO.	DATE	DESCRIPTION	ENGR. OF DESIGN	CITY ENGR.

B-3461
S-140
S-141
S-142
S-152
S-282

APPROVED *2/21/1984*
Donald J. Rose
CITY ENGINEER

VAULT INDEX NUMBER B-401B

DESIGNED BY LIE
DRAWN BY GAM
CHECKED BY LJM

SHEET 1 OF 2 SHEETS

NOTES

1. EXCEPT AS INDICATED HEREON OR ON THE PROJECT PLANS, MANHOLES SHALL CONFORM TO STANDARD PLAN S-140, SEWER MANHOLES - GENERAL, STANDARD PLAN S-141, BRICK MANHOLE, AND STANDARD PLAN S-142, PRECAST CONCRETE SEWER MANHOLE.
2. ALL SEWER PIPE SHALL, UNLESS OTHERWISE INDICATED ON THE PROJECT PLANS, BE ANY OF THE FOLLOWING:
 - A. VCP CONFORMING TO SECTION 207-8 OF THE STANDARD SPECIFICATIONS.
 - B. ABS SOLID WALL PIPE CONFORMING TO SECTION 207-14 OF THE STANDARD SPECIFICATIONS.
 - C. ABS COMPOSITE PIPE CONFORMING TO SECTION 207-15 OF THE STANDARD SPECIFICATIONS.
 - D. PVC PIPE CONFORMING TO SECTION 207-16 OF THE STANDARD SPECIFICATIONS.
3. DIMENSIONS:
D_p - SEE PROJECT PLANS.
H - SEE PROJECT PLANS.
4. CONCRETE SHALL CONFORM TO SECTION 201 OF THE STANDARD SPECIFICATIONS, AND SHALL BE:
CLASS 660-B-3750 FOR THE INNER BASE,
CLASS 560-B-3250 FOR THE BASE, WALLS, AND SLABS
CLASS 420-C-2000 FOR BACKFILL AND PIPE ENCASEMENT.
THE CONTRACTOR MAY FURNISH A HIGHER CLASS OF CONCRETE FOR THE BASE, WALLS, SLABS, AND/OR BACKFILL AND PIPE ENCASEMENT TO MINIMIZE THE NUMBER OF DIFFERENT CLASSES OF CONCRETE USED.
5. WEIR PLATES, WHEN REQUIRED, SHALL CONFORM TO STANDARD PLAN S-152.
6. INSTALL 27" MANHOLE FRAME AND COVER CONFORMING TO STANDARD PLAN S-282.