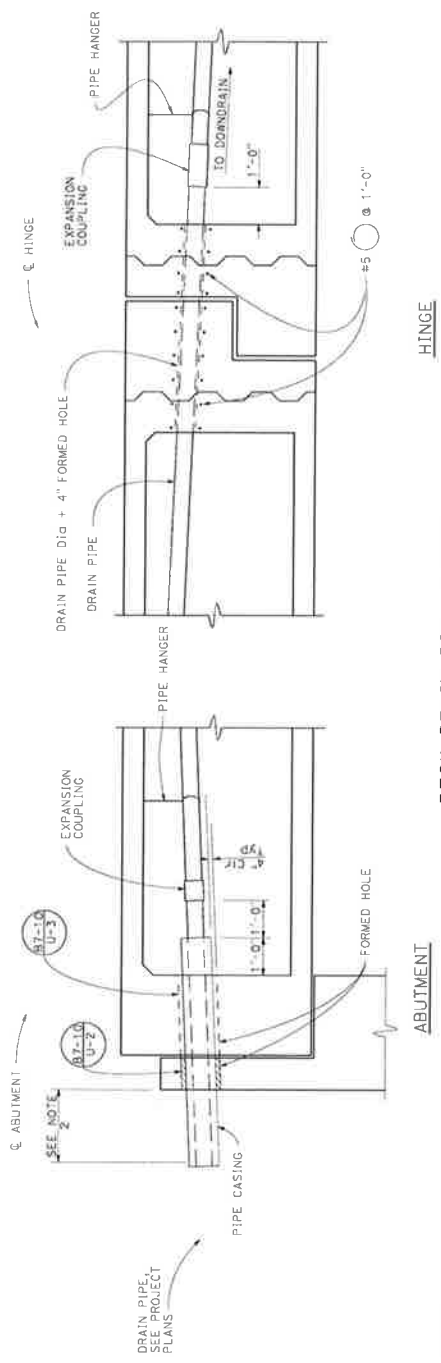


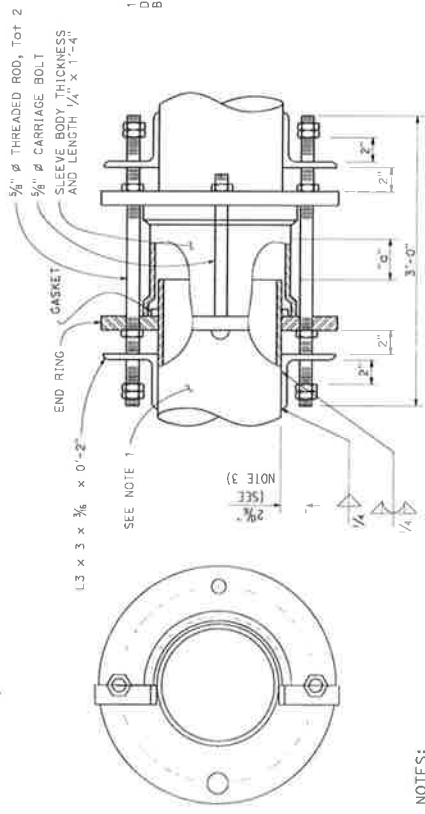
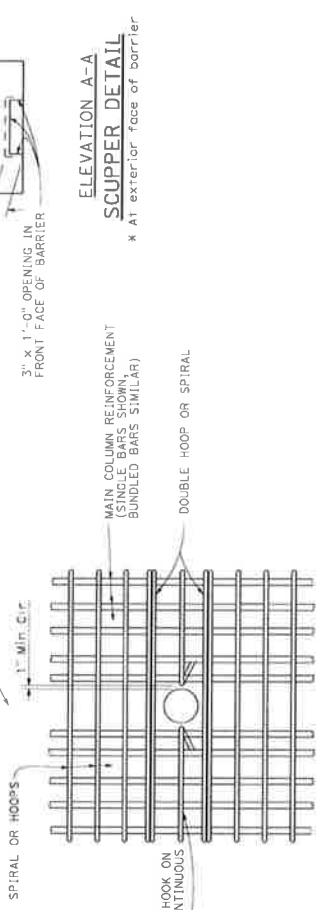
COUNTY: PROJECT: SHEET NO.: OF SHEETS
 DATE: 2018
 PREPARED BY:
 CHECKED BY:
 DESIGNED BY:
 DATE: 2018
 APPROVED BY:
 LICENSE NO.:
 EXPIRES: 2019
 REGISTERED PROFESSIONAL ENGINEER
 CIVIL
 STATE OF CALIFORNIA



DECK DRAIN PIPE DETAIL

NOTES:

1. Pipe casing OD = Drain pipe Dia + 4" ($1/4$ " Min wall thickness)
2. Unless otherwise shown on project plans, casing shall extend to the greater of 5'-0" beyond the end of approach slab or 20'-0" beyond the back of abutment.



NOTES:

1. For "o" dimension and pipe diameter, see Project Plans.
2. Expansion coupling with 4 bolts shown. Coupling with a greater number of bolts allowed.
3. Adjust dimension to suit coupler end ring bolt circle.

EXPANSION COUPLING

DECK DRAINAGE DETAILS

NO SCALE

STATE OF CALIFORNIA
 DEPARTMENT OF TRANSPORTATION

B7-8