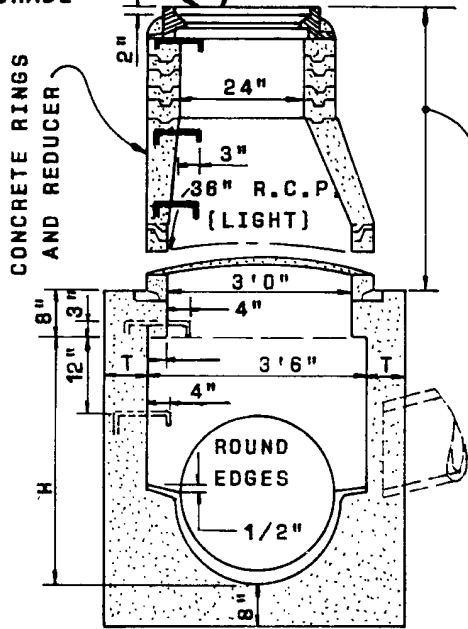


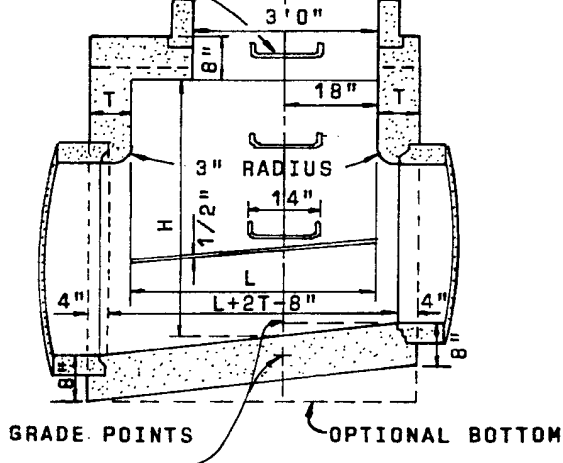
STREET GRADE
 ALHAMBRA A-1170 OR APPROVED EQUAL
 MANHOLE FRAME AND COVER



SECTION A-A

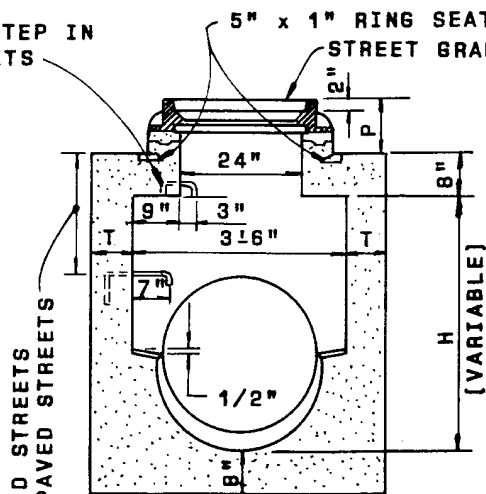
MIN. 2'-10-1/2" FOR PAVED STREETS
 MIN. 3'-6" FOR UNPAVED STREETS
 (SEE NOTE M)

3/4" Ø GALVANIZED
 STEEL STEPS,
 12" O.C.
 STATION LINE



SECTION B-B

OMIT THIS STEP IN
 PAVED STREETS



SECTION C-C

16" FOR PAVED STREETS
 2'-2" FOR UNPAVED STREETS

NOTE:

SEE 207-0 FOR H, L, M, P & T

	MAX.	MIN.
FOR PAVED STREETS	11"	8-1/2"
FOR UNPAVED STREETS	16"	15"

(SEE NOTE P, STD. PLAN 207-0)

Revised	Drawn <i>JM</i>	Date 5-15-86	CITY OF CORONA PUBLIC WORKS DEPARTMENT
11/88	Approved <i>LJ</i>	Date 6-16-86	
<i>Joseph R. Palencia</i> Director of Public Works			STD. PLAN 207-1

**STORM DRAIN
 MANHOLE SECTIONS**