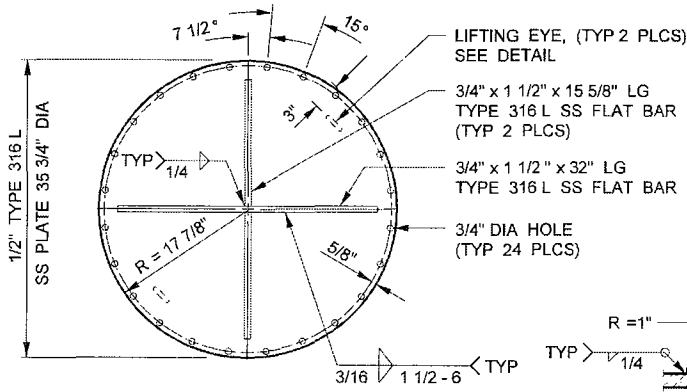
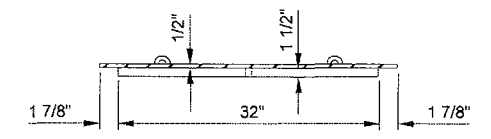
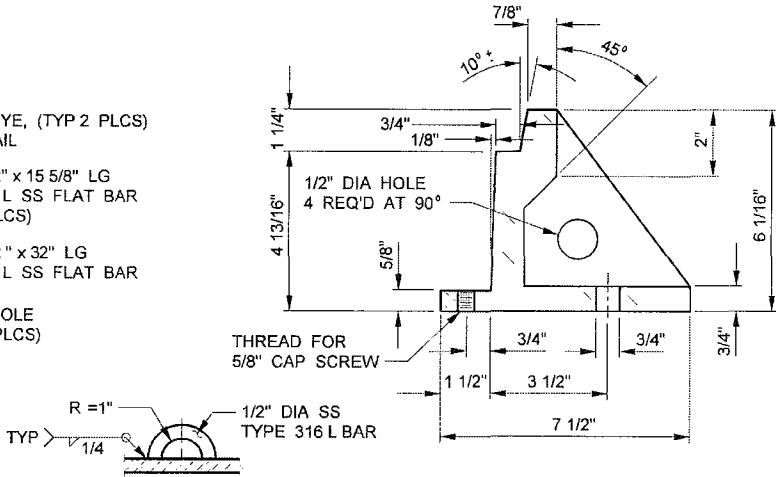


**SECTION  
MANHOLE FRAME AND COVER**

APPLY ANTI-FREEZE AGENT (TYP)

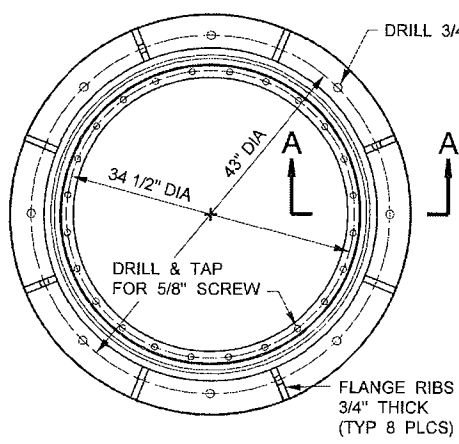


**PRESSURE PLATE  
BOTTOM VIEW**

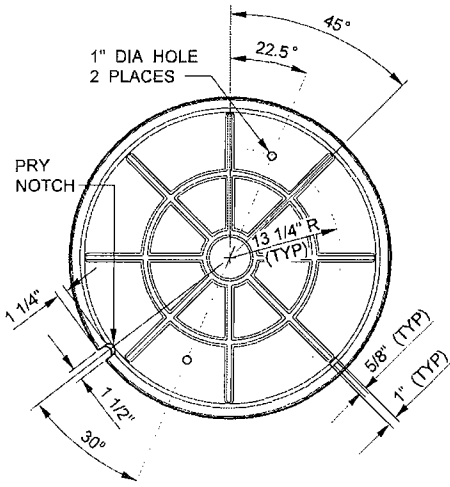


**DETAIL- LIFTING EYE**

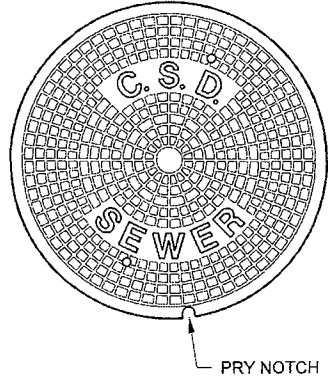
**SECTION A-A**



**PLAN OF FRAME**



**PLAN OF COVER  
BOTTOM VIEW**



**PLAN OF COVER  
TOP VIEW**

NOTE:  
FOR NOTES SEE S-a-207.

COUNTY SANITATION DISTRICTS OF LOS ANGELES COUNTY  
OFFICE OF CHIEF ENGINEER

STEPHEN R. MAGUIN  
CHIEF ENGINEER

**STANDARD 36" PRESSURE MANHOLE  
FRAME AND COVER**

STANDARD DRAWING  
2006 EDITION  
**S - a - 2 2 9**  
SHEET 1 OF 1