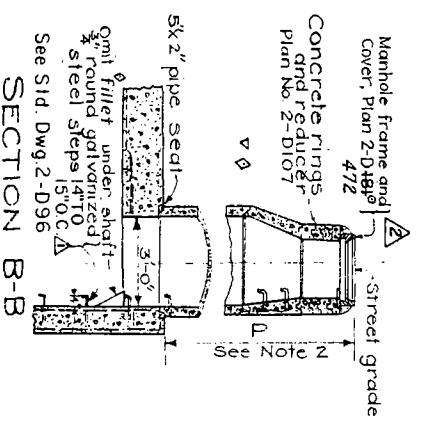
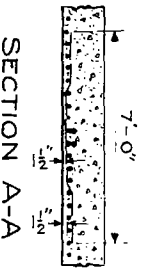
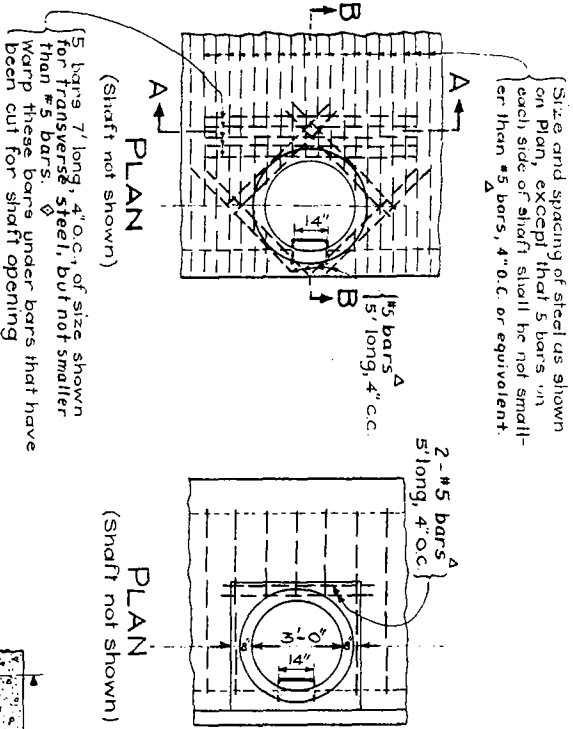


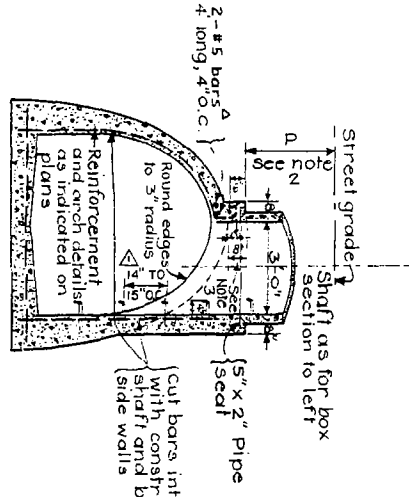
REVISIONS "Continued"		
MARK	DATE	DESCRIPTION
△	11-5-70	Step Spacing
△	3-1-74	M.H. F.C. ref.

**NOTES**

- 1- ACCESS SHAFT : See 2-D107.
- 2- DEPTH P : When depth P from street grade to top of pipe seat is less than 2'-10 1/2" in paved streets or 3'-6" in unpaved streets, construct 2 ft. diameter shaft, using concrete rings as per PLAN No. 2-D107, otherwise construct 3ft. shaft as shown on this plan.
- 3- OPTIONAL CONSTRUCTION : Dimension from outside top of arch storm drain to top of pipe seat, shown 8 inches on this plan, may be increased, except that in so doing P shall not be reduced to less than 2'-10 1/2" for paved streets or 3'-6" for unpaved streets, and that reducer shall be used.
- 4- UNREINFORCED ARCH : When specified with unreinforced concrete arch storm drain, construct manhole as shown on this plan for arch section, using 2-#5 bars.
- 5- STATIONS shown on plan refer to center line of shaft.
- 6- \* 6- REINFORCING STEEL to be per 2-D-171.
- 7- REINFORCING STEEL to be per 2-D-171.
- 8- STEPS shall be 2" round galvanized steel anchored not less than 6" in walls of structure and unless otherwise shown shall be spaced 14" to 15" O.C. The lowest step shall be not more than 2 feet above the floor. See 2-D-107 for details.



MANHOLE FOR BOX SECTION STORM DRAIN



MANHOLE FOR ARCH SECTION STORM DRAIN

REFERENCES	MARK	DATE	REVISIONS	DESCRIPTION
2-D181	*	7-46	△	Changed with
2-D107	△	7-52	○	Changed note
2-D171	○	12-52	○	Revised
2-D210	○	1-53	○	Revised
2-D96	□	6-17-53	□	Added Note
2-D472	▽	8-53	▽	Revised
	▽	10-30-53	▽	Changed dimension
	▽	10-28-53	▽	Added Note

APPROVED BY: *[Signature]* DATE: 1-6-39 NO. 2-D104

MANHOLE FOR ARCH SECTION STORM DRAIN

MANHOLE FOR BOX SECTION STORM DRAIN