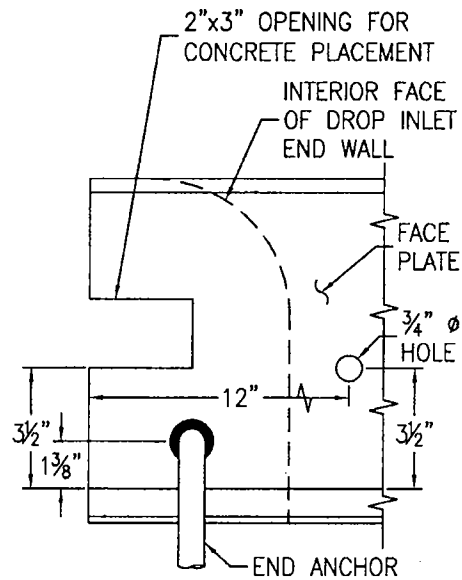


① #4 BAR x W+6". IN ADDITION TO REINFORCING STEEL PER 9-19, 300-1 AND 301-1.



END DETAIL

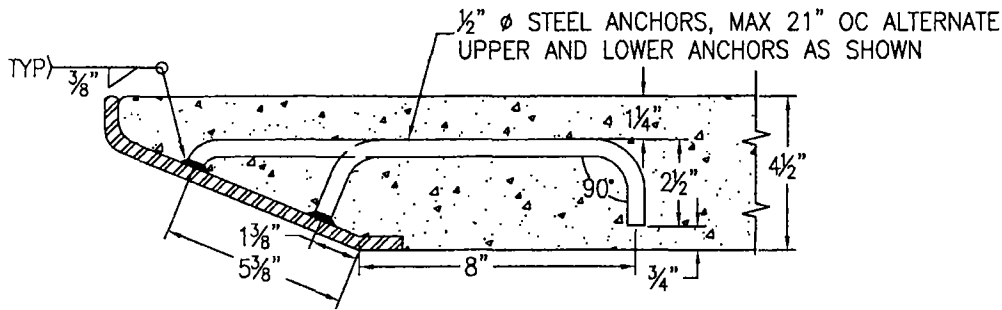
SACRAMENTO COUNTY  
MUNICIPAL SERVICES AGENCY

**CATCH BASIN FACE PLATE  
ASSEMBLY AND  
PROTECTION BAR**

DRAWN BY: S. PIMENTEL  
SCALE: NONE  
DATE: 04/07

**9-17**  
SHEET 1 OF 2

*Keith Debra*  
DIRECTOR, DEPARTMENT OF WATER RESOURCES



## FACE PLATE ANCHORS

### GENERAL NOTES:

1. TO BE USED ONLY IN TYPE 2 CURB AND GUTTER WITH 2" DEPRESSION. USE IN TYPE 1 CURB AND GUTTER ONLY UPON APPROVAL OF THE DIRECTOR. ALTERNATE ANGLE IRON SIZE, DEPRESSION DEPTH, AND SLAB THICKNESS MAY BE USED UPON APPROVAL OF THE DIRECTOR.
2. ALL PARTS SHALL BE STEEL, EXCEPT SET SCREWS, WHICH SHALL BE STAINLESS STEEL OR BRASS.
3. EXPOSED SURFACES OF THE GRATES, FRAMES AND HOODS WITH THE PARTS ASSEMBLED AND DISASSEMBLED SHALL BE PAINTED WITH COMMERCIAL QUALITY ASPHALTUM PAINT AFTER TESTING AND ASSEMBLY.
4. FACE PLATE LENGTHS SHALL BE CAST INTO STRUCTURE CONTINUOUS FOR THE FULL LENGTH + 12".
5. WHEN CURB INLET OPENING HEIGHT EXCEEDS: 6" INSTALL 1"  $\phi$  STEEL PROTECTION BAR, 12" INSTALL 2-1"  $\phi$  STEEL PROTECTION BARS (EQUALLY SPACED), 17" INSTALL 3-1"  $\phi$  STEEL PROTECTION BARS (EQUALLY SPACED).
6. WHEN CURB INLET OPENING LENGTH EXCEEDS 7' INSTALL 1"  $\phi$  STEEL SUPPORT BOLTS, SPACED AT NOT MORE THAN 5' O.C.
7. ALTERNATE ANGLE IRON SIZE, DEPRESSION DEPTH, AND SLAP THICKNESS MAY BE USED UPON APPROVAL OF THE DIRECTOR.
8. TOP SLAB OVER INLET SHALL BE 4 1/2".

SACRAMENTO COUNTY  
MUNICIPAL SERVICES AGENCY

### CATCH BASIN FACE PLATE ASSEMBLY AND PROTECTION BAR

DRAWN BY: S. PIMENTEL  
SCALE: NONE  
DATE: 04/07

**9-17**  
SHEET 2 OF 2

*Keith Delore*  
DIRECTOR, DEPARTMENT OF WATER RESOURCES