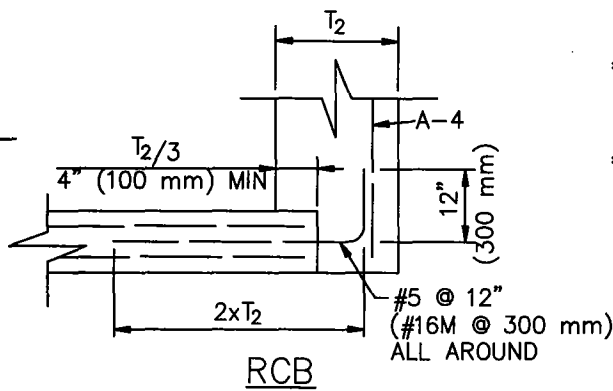
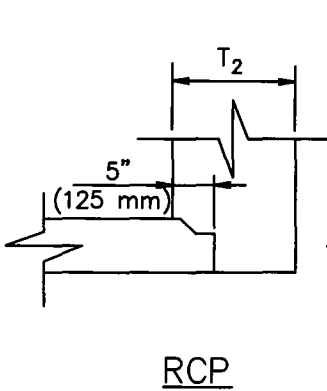
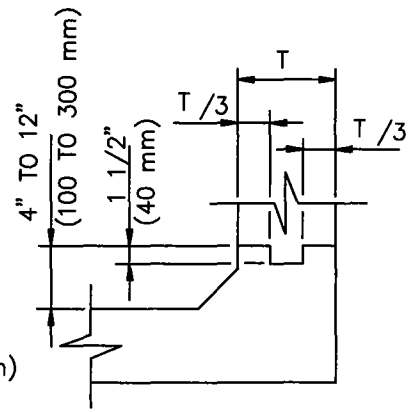


PLAN



DETAIL E



DETAIL F (SHEET 3)

STANDARD PLANS FOR PUBLIC WORKS CONSTRUCTION

PROMULGATED BY THE
PUBLIC WORKS STANDARDS INC.
GREENBOOK COMMITTEE
1993
REV. 2005, 2009

**ENERGY DISSIPATOR - IMPACT BASIN
WITH VERTICAL BAFFLE WALL**

STANDARD PLAN
384-3
SHEET 1 OF 10

USE WITH STANDARD SPECIFICATIONS FOR PUBLIC WORKS CONSTRUCTION