

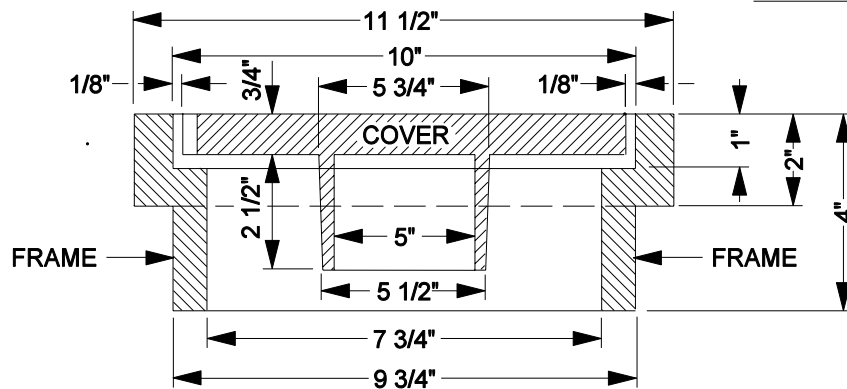
3/8" RADIUS NOTCH

A

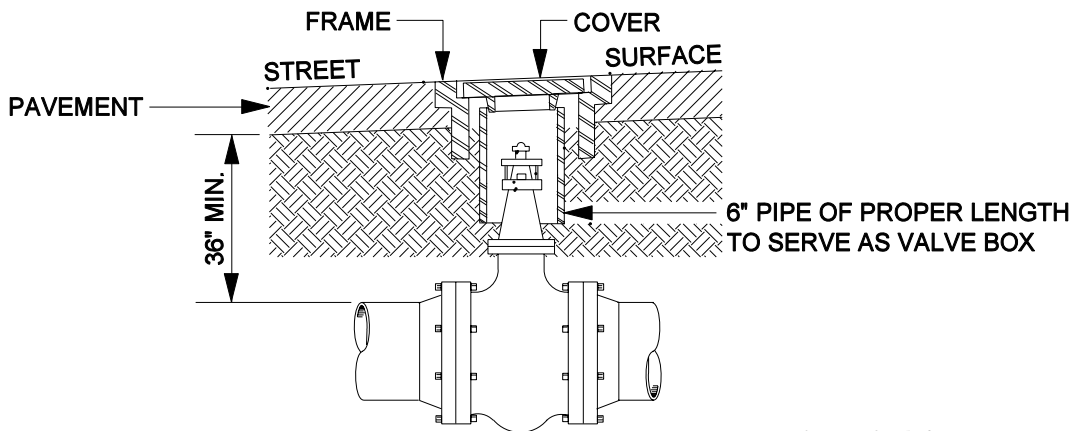
A

1/2 PLAN OF COVER

1/2 PLAN OF FRAME



SECTION "A-A"



NOT TO SCALE

APPROVED BY:

DATE: 11/15/04

DIRECTOR OF TRANSPORTATION  
GEORGE A. JOHNSON, RCE 42328

COUNTY OF RIVERSIDE

**VALVE BOX, FRAME  
AND COVER**

REVISIONS		REV.	BY:	APR'D	DATE	REV.	BY:	APR'D	DATE
8-71		1				4			
		2				5			
		3				6			

STANDARD NO. 703