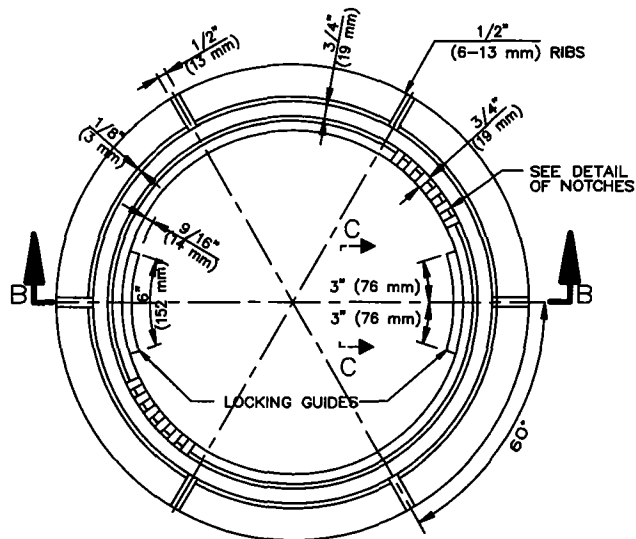
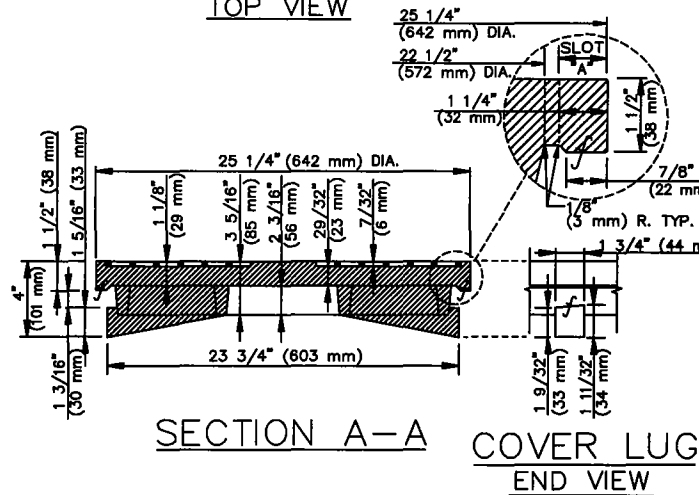


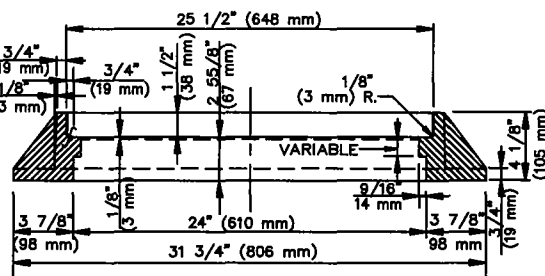
PLAN OF COVER  
TOP VIEW



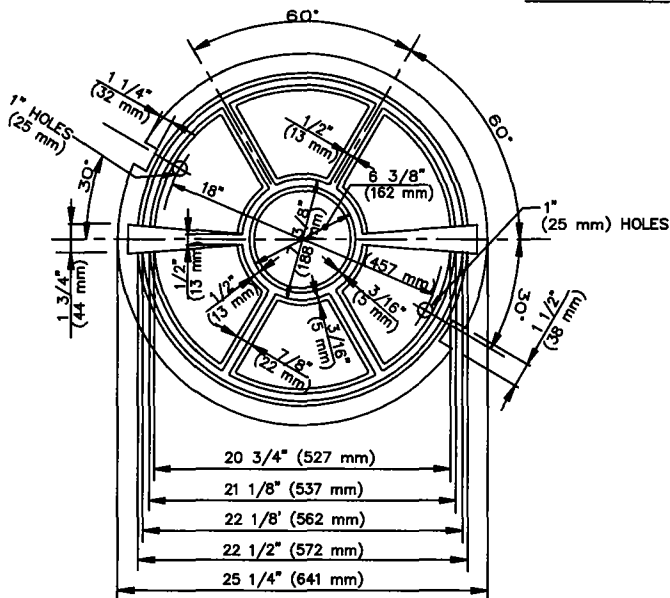
PLAN OF FRAME



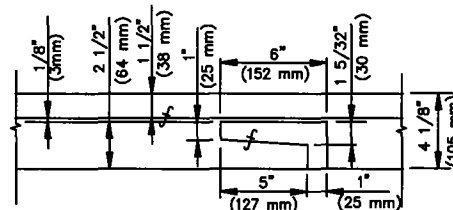
SECTION A-A COVER LUG  
END VIEW



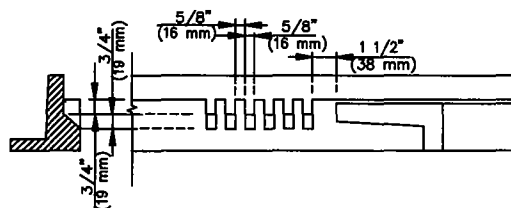
SECTION B-B



PLAN OF COVER  
BOTTOM VIEW



LOCKING GUIDE  
SIDE VIEW C-C



DETAIL OF NOTCHES

STANDARD PLANS FOR PUBLIC WORKS CONSTRUCTION

PROMULGATED BY THE  
PUBLIC WORKS STANDARDS, INC.,  
GREENBOOK COMMITTEE  
1984  
REV. 1993, 1996, 2009

**24" (610 mm) MANHOLE FRAME  
AND COVER—LOCKING TYPE**

USE WITH STANDARD SPECIFICATIONS FOR PUBLIC WORKS CONSTRUCTION

STANDARD PLAN

**210-3**

SHEET 1 OF 2