

STIFFENER BAR
 3" x 3/8"
 (76 x 10 mm) WELDED
 ON BOTTOM OF RACK
 WHEN L_R IS 72"
 (1.8 m) OR MORE

HEADWALL
 AND WINGWALL

OUTLET
 CONDUIT

BOLTS PER NOTE 5

CASE A

72"
 (1.8 m) MAX
 1 1/4"
 (6 mm) TYP
 1"
 (25 mm) ±
 3'
 (920 mm) ±
 REMOVAL
 PORTION
 150 mm
 (6") TYP
 30"
 (760 mm) OC, TYP

RACK PLAN

CASE B

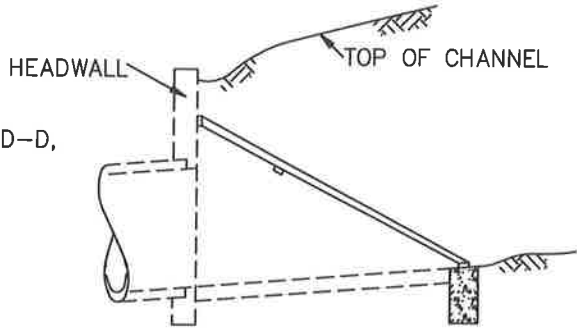
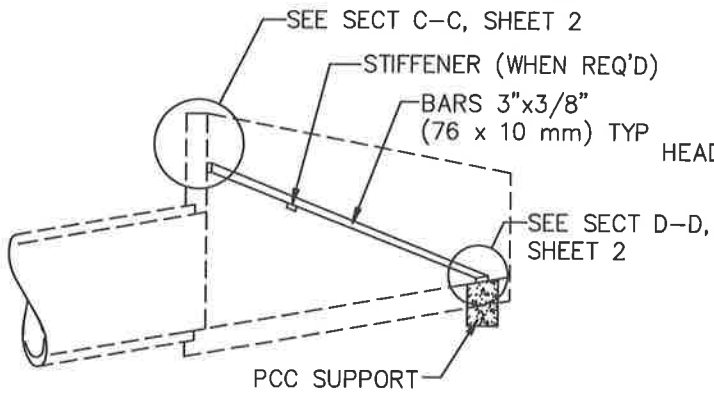
SEE CASE A
 FOR
 DIMENSIONS

OUTLET
 CONDUIT

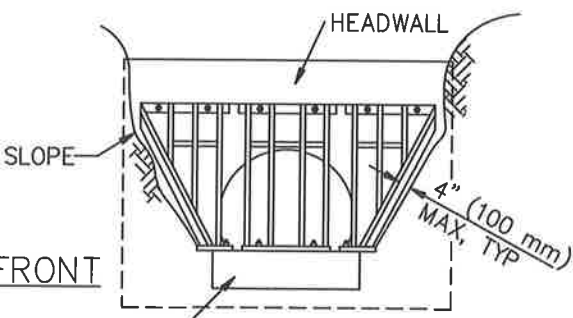
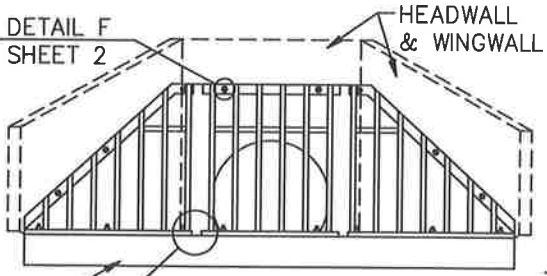
REMOVAL
 PORTION

DETAIL E,
 SHEET 2

EX OR PROP
 SLOPE



RACK SECTION



RACK FRONT

PCC SUPPORT
 DETAIL E
 SHEET 2

STANDARD PLANS FOR PUBLIC WORKS CONSTRUCTION

PROMULGATED BY THE
 PUBLIC WORKS STANDARDS INC.
 GREENBOOK COMMITTEE
 1993
 REV. 2005, 2009

TRASH RACK (INCLINED)

USE WITH STANDARD SPECIFICATIONS FOR PUBLIC WORKS CONSTRUCTION

STANDARD PLAN

361-2

SHEET 1 OF 2