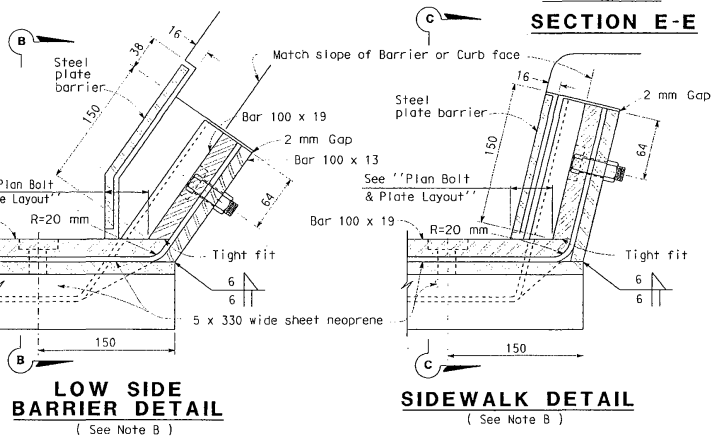
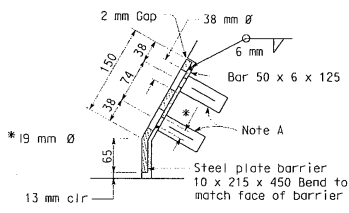
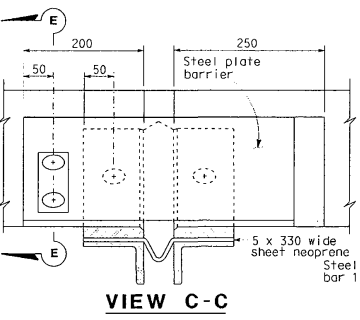
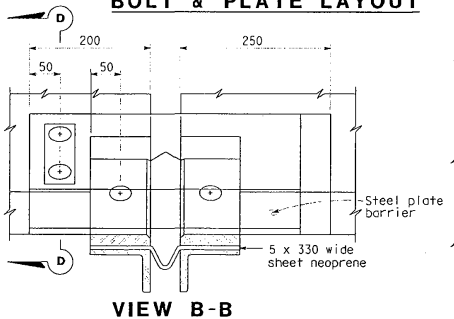
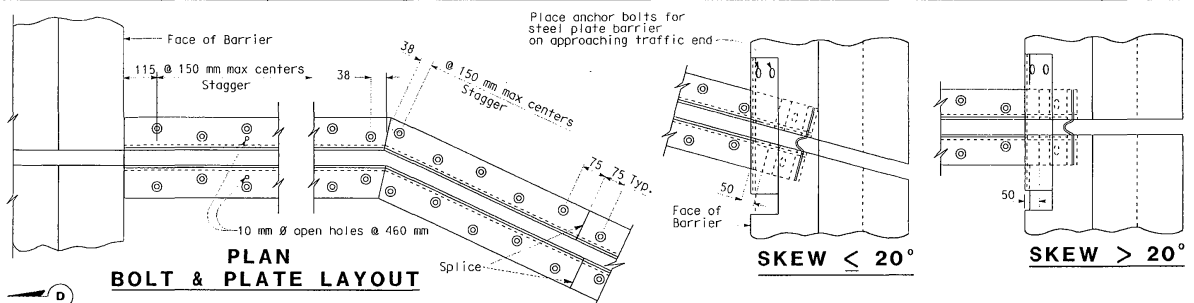


RELEASED 4-1-91



DIST.	COUNTY	ROUTE	KILOMETER POST TOTAL PROJECT	SHEET NO.	TOTAL SHEETS
11	SD	15	M38.7/M42.7	645	822

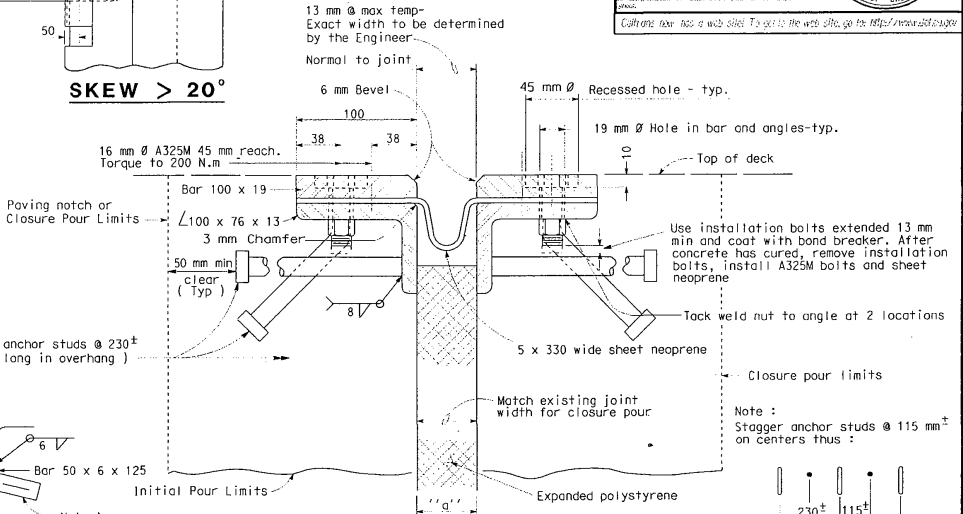
REGISTERED ENGINEER - CIVIL
 4-12-04
 PLANS APPROVAL DATE
 08-06-04
 William W. Adlespurgur
 No. 50697
 Exp. 2-30-05
 PROFESSIONAL SEAL
 STATE OF CALIFORNIA
 CIVIL



HIGH SIDE BARRIER DETAIL

LOW SIDE BARRIER DETAIL (See Note B)

SIDEWALK DETAIL (See Note B)



SECTION A-A

Location	Movement Rating (MR)	Skew	"a" Dimensions		
			Winter	Spring & Fall	Summer
Abut 1	70	2°25'03"	38	29	19

NOTES: Full penetration butt welds may be substituted for fillet welds on all anchor studs. Alternate types of anchor studs may be permitted subject to the approval by the Engineer. Joint seal assembly to be used in conjunction with closure pour. (See other sheets for limits). Closure pour shall not be placed until final deck surface is within the tolerance specified.

Use joint at crown of roadway, at any change in transverse slope in deck and at changes in horizontal direction. Place other joints at or near lanes. All metal parts to be painted or galvanized after fabrication.

Sheet neoprene shall be fabricated in one continuous piece or joints shall be vulcanized. Neoprene shall be fabricated to bend around corners. 25 mm holes in neoprene sheets shall be drilled or punched so that the neoprene is not distorted at the time of installation.

NOTE A
Insert assembly or expansion anchorage for 16 x 45 A325M bolt.

NOTE B
Use the Sidewalk Detail at all sidewalk joints. Use the Barrier Detail at both sides if the roadway is crowned or if the difference in elevation between the ends of the seal is 150 mm or less. ALL DIMENSIONS ARE IN MILLIMETERS UNLESS OTHERWISE SHOWN

STANDARD DRAWING			
FILE NO. XS 12-59	DESIGNER H. HERR	CHECKED R. LACALLE	APPROVED BY [Signature]
DATE 9/93	DRAWN BY R. YEE	CHECKED R. LACALLE	DESIGN NO. 080921
	APPROVED BY C.W. PURKISS		

NO SCALE

STATE OF CALIFORNIA
DEPARTMENT OF TRANSPORTATION

BRIDGE NO. 57-1102
KILOMETER POST 40.29

CU 11
EA 080921

PHASE 2

DUENDA ROAD OVERCROSSING

JOINT SEAL ASSEMBLY
(MAXIMUM MOVEMENT RATING = 100 mm)

DISREGARD PRINTS BEARING EARLIER REVISION DATES

DATE PLOTTED: 12-15-2004

27 34

XS1259.DGN

