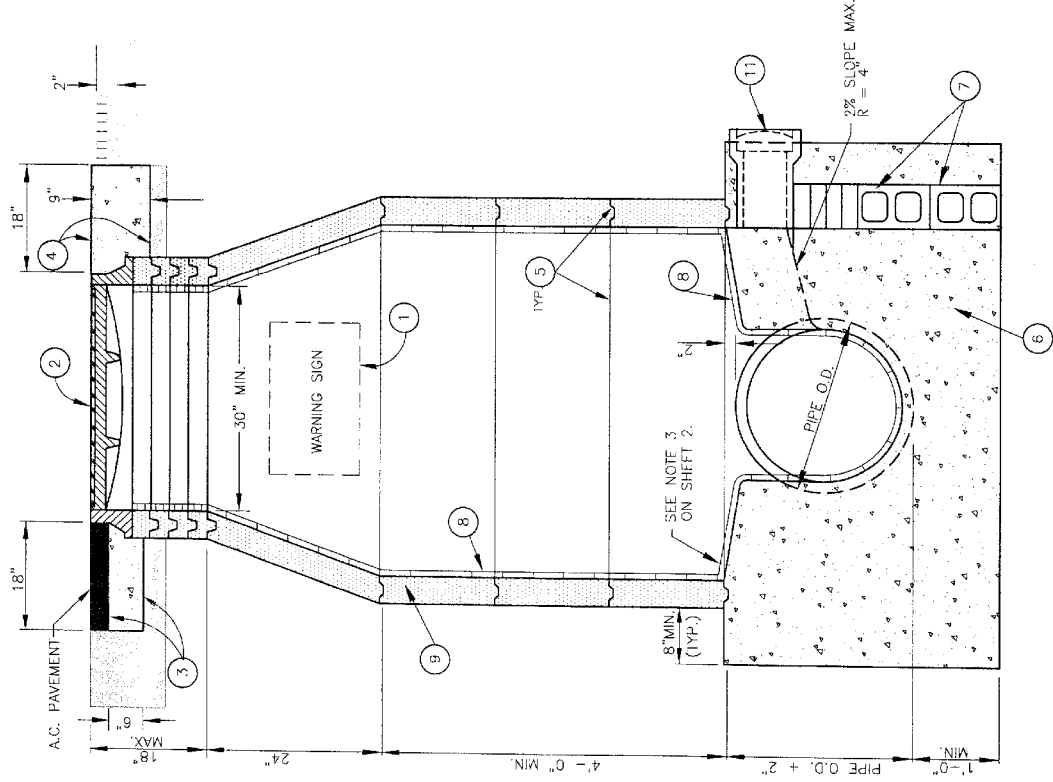
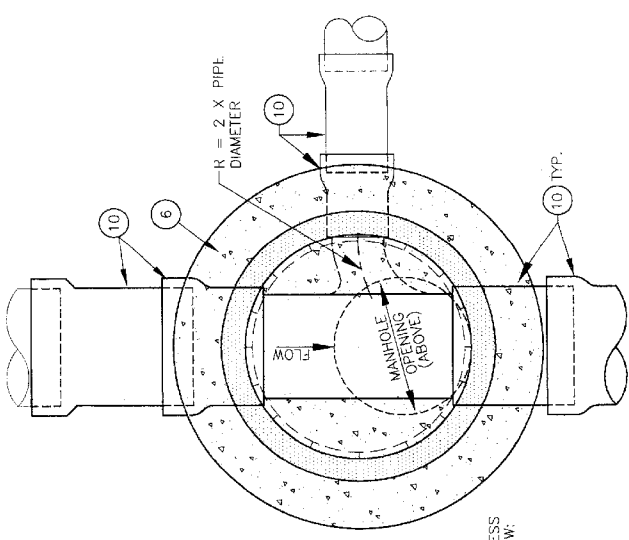


PAVED CONDITION UNPAVED CONDITION

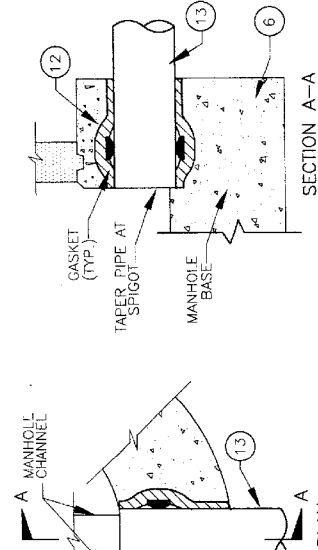


**MATERIALS**

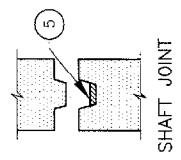
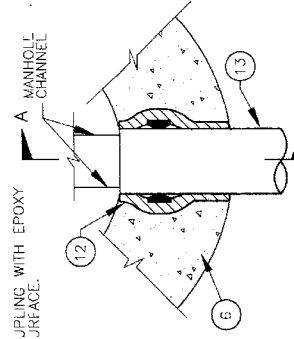
- 1—STENCILED WARNING SIGN. SEE DETAIL ON SHEET 2.
- 2—FRAME & COVER PER IRWD STD. SPEC. SECTION 03467. SEE DETAIL ON SHEET 2.
- 3—ROUND CLASS "B" CONCRETE COLLAR AND AC PAVEMENT. W.W.F.—6X6—10/10.
- 4—SQUARE CLASS "B" CONCRETE PAD REINFORC WITH SEE NOTE 8 ON SHEET 2.
- 5—CONCRETE MANHOLE BASE, CAST IN PLACE PER IRWD STD. SPEC. SECTION 033007. SEE NOTES 6 AND 8 ON SHEET 2.
- 6—CONCRETE BLOCK AND/OR BRICK SUPPORT. SEE NOTE 4 ON SHEET 2.
- 7—PVC MANHOLE LINER (WHERE REQUIRED) PER IRWD STD. SPEC. SECTION C9880.
- 8—PRECAST CONCRETE MANHOLE SHAFT, MINIMUM WALL THICKNESS PER IRWD STD. SPEC. SECTION 03467, AND AS NOTED BELOW:  
 48" DIA MANHOLE 5" WALL THICKNESS  
 60" DIA MANHOLE 6" WALL THICKNESS  
 72" DIA MANHOLE 7" WALL THICKNESS
- 9—INSTALL 16" LONG VCP PIPE THROUGH MANHOLE BASE FOLLOWED BY A 72" LONG VCP PIPE, AS SHOWN, FOR FLEXIBILITY. FOR PVC PIPE, REFER TO "PVC PIPE CONNECTION" DETAILS HEREON.
- 10—INSTALL TEMPORARY PLUG IN PIPE BELL-JOINT.
- 11—GASKETED SDR-35 PVC MANHOLE COUPLING WITH EPOXY RESIN SAND COATING ON EXTERIOR SURFACE.
- 12—SDR-35 PVC PIPE.



**MANHOLE BASE WITH PVC PIPE CONNECTION**



**PVC PIPE CONNECTION**



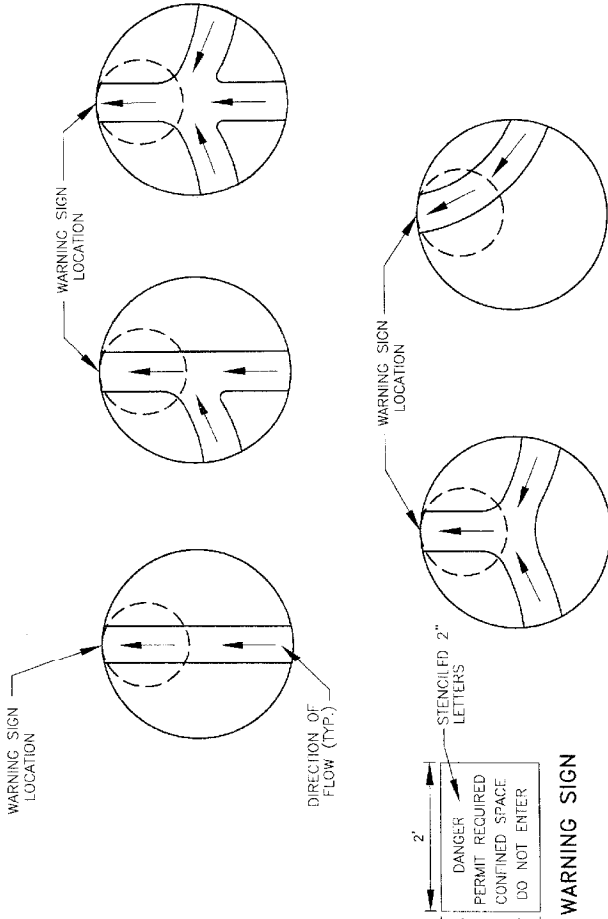
**SHAFT JOINT**

NOTE: SEE SHEET 2 OF 2 FOR NOTES.

NO.	REVISION	DATE
	APPROVED	

STANDARD SPECIFICATIONS COMMITTEE	DATE
J. STANEACH	8/31/04
CHAIR	
ENGINEERING DEPARTMENT	DATE
<i>[Signature]</i>	8/31/04
DIRECTOR OF ENGINEERING	

**MANHOLE**



**ORIENTATION OF MANHOLE COVER TO MANHOLE BASE**

**ITEM MATERIALS**

- ① 1-1/2" LIFTING SLOT.
- ② 1" THRU HOLE.
- ③ 3/4" THRU HOLE, 4 PLACES.
- ④ 5/8" DIAMETER HOLES DRILLED IN FRAME, 4 PLACES.
- ⑤ CAST 3" LETTERS, RAISED 3/16".
- ⑥ 3/16" RAISED DIAMOND TREAD SURFACE PATTERN.

**NOTES:**

1. 48" & 60" MANHOLES SHALL HAVE 30" COVERS. 72" MANHOLES SHALL HAVE 36" COVERS.
2. COAT FRAME AND COVER WITH BITUMASTIC PER IRWD STD. SPEC. SECTION 09900.
3. PLACE TWO HALF MOON SHAPED PLYWOOD COVERS ( 5/8" THICK MINIMUM ) ON BOTTOM OF MANHOLE AFTER SHAFTS HAVE BEEN SET TO KEEP DEBRIS FROM ENTERING SEWER. REMOVE PLYWOOD PRIOR TO FINAL ACCEPTANCE.
4. ALL INLETS AND OUTLETS SHALL BE SUPPORTED WITH CONCRETE BLOCK AND/OR BRICK SUPPORTS, PRIOR TO POURING MANHOLE BASE TO PREVENT PIPE MOVEMENT DURING CONSTRUCTION OF MH BASE.
5. ALL PRECAST CONCRETE MANHOLE SHAFTS SHALL BE MANUFACTURED PER IRWD STD. SPEC. SECTION 03461.
6. BASE POURED AGAINST UNDISTURBED SOIL. IF SOIL IS DISTURBED, OR IF GROUND WATER EXISTS, CRUSHED ROCK SHALL BE INSTALLED BENEATH BASE PER IRWD STD. SPEC. SECTION 02223.
7. CLASS "A" CONCRETE BASE, CAST IN PLACE MONOLITHICALLY.
8. PREFORMED COLD-APPLIED READY-TO-USE PLASTIC JOINT SEALING COMPOUND SHALL BE USED FOR ALL MANHOLE JOINTS.
9. RETAINING WALLS SHALL BE INSTALLED AROUND MANHOLE WHEN THERE IS AN ADJACENT SLOPE. CONSTRUCT RETAINING WALL PER IRWD STD. DWG. C-5.

REVISION		DATE	
NO.	DATE	APPROVED	DATE

**MANHOLE**

STANDARD SPECIFICATIONS COMMITTEE

J. STANEART CHAIR

8/31/04 DATE

ENGINEERING DEPARTMENT

S. HOOVER DIRECTOR OF ENGINEERING

8/31/04 DATE

IRWD STD. DWG. S-1

SHEET 2 OF 2