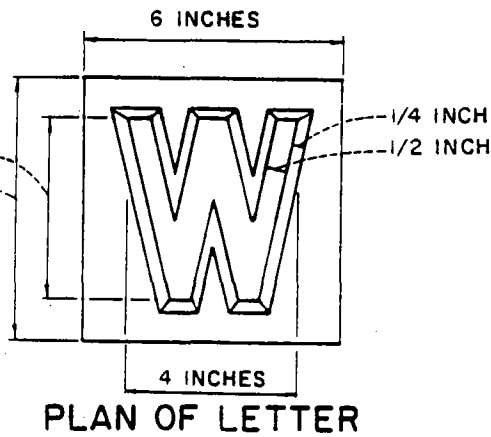
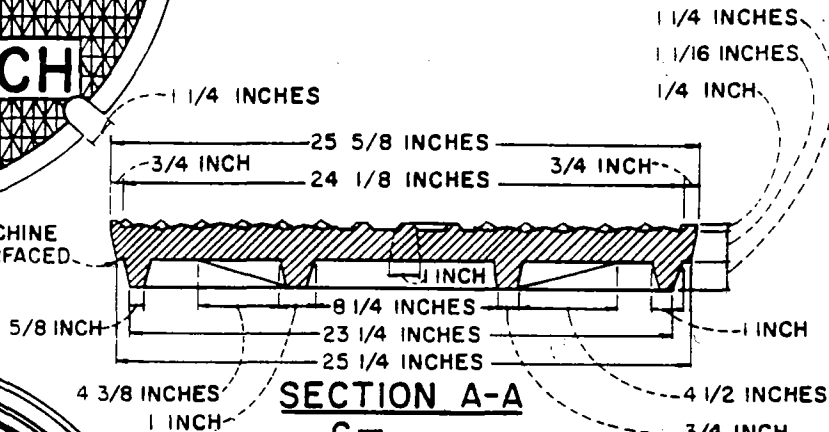


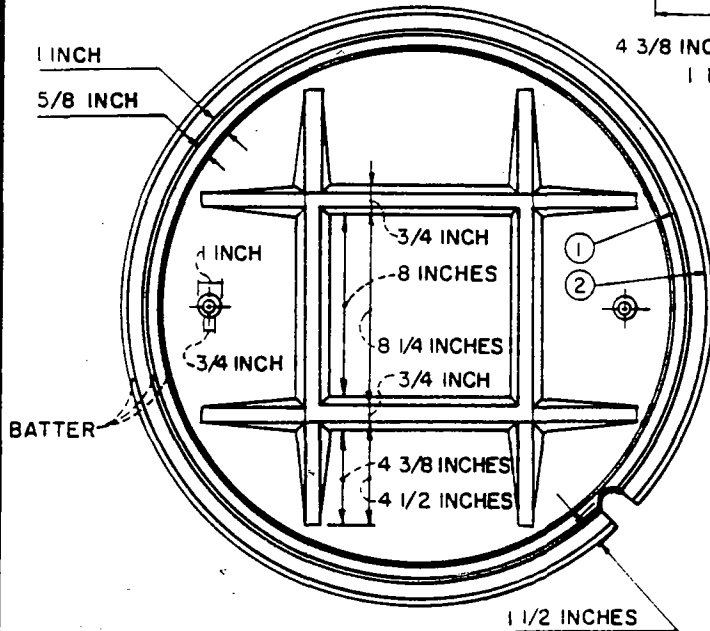
PLAN OF TOP



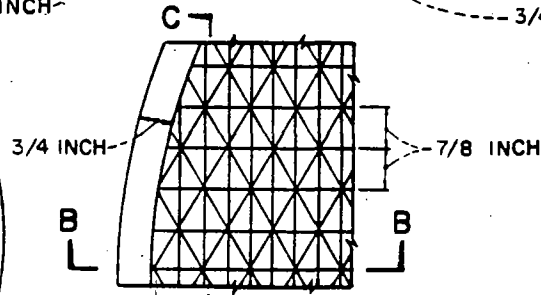
PLAN OF LETTER



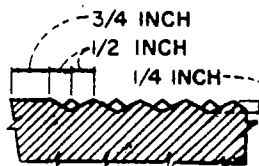
SECTION A-A



PLAN OF BOTTOM



DETAIL OF DIAMONDS



SECTION B-B



SECTION C-C

DIAMETERS

- ① 23 1/4 INCHES
- ② 25 1/4 INCHES

NOTE

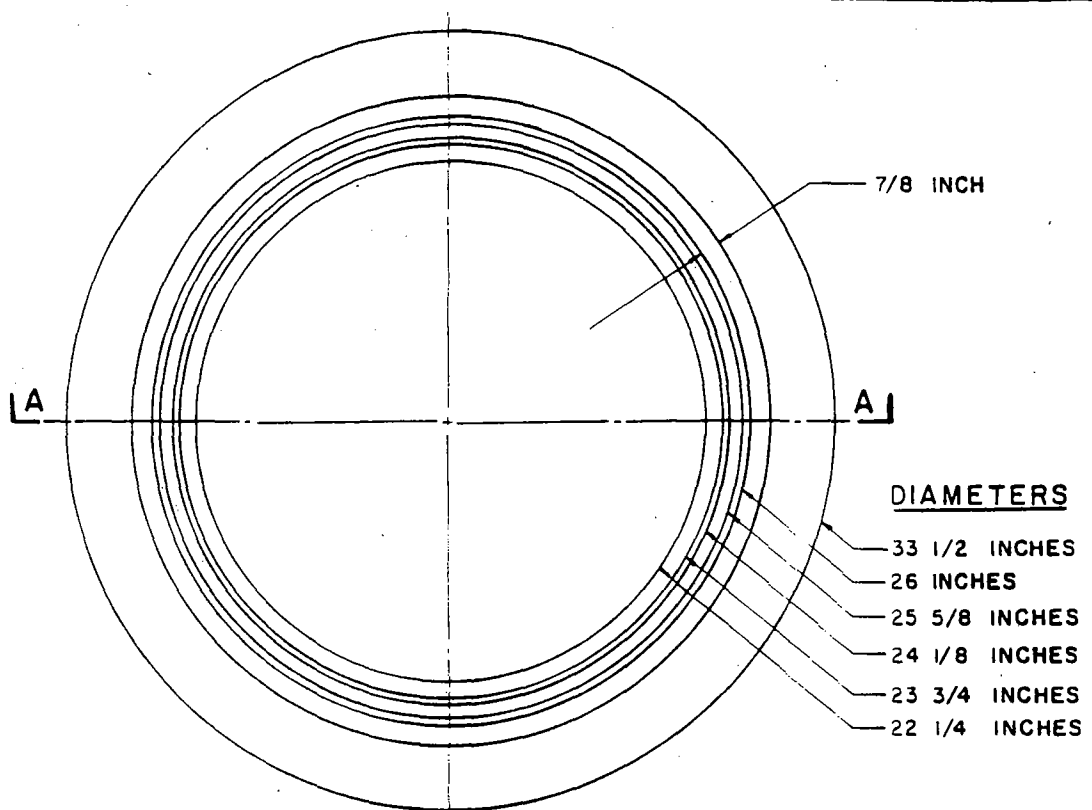
THIS COVER TO BE USED WITH STANDARD CAST IRON MANHOLE FRAME SEE SHEET 2 OF 7.

LONG BEACH WATER DEPARTMENT

MANHOLE COVER

DESIGNED BY	
CHECKED BY	MANABAT
DATE	4-27-87
SCALE	NONE
SUPERSEDES DWG. NO.	
	A5-341

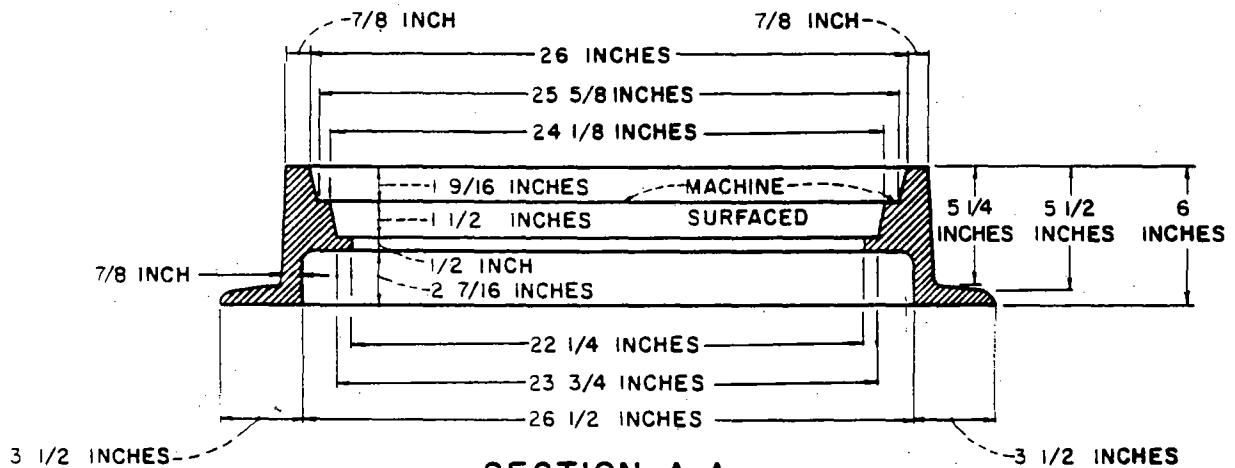
RECOMMENDED	<i>San Denis</i>
	BUREAU ENGINEER C.E. NO. 19113
APPROVED	<i>RC</i>
	GENERAL MANAGER C.E. NO. 16644
SHEET	1 OF 7
	WDS-210



DIAMETERS

- 33 1/2 INCHES
- 26 INCHES
- 25 5/8 INCHES
- 24 1/8 INCHES
- 23 3/4 INCHES
- 22 1/4 INCHES

PLAN



SECTION A-A

NOTE:

STANDARD CAST IRON MANHOLE COVER TO BE USED WITH THIS FRAME SEE SHEET 1 OF 1.

LONG BEACH WATER DEPARTMENT

MANHOLE FRAME

DESIGNED BY	RECOMMENDED
CHECKED BY MANABAT	<i>Stan Davis</i> BUREAU ENGINEER C.E. NO. 19113
DATE 4-27-87	APPROVED
SCALE NONE	<i>[Signature]</i> GENERAL MANAGER C.E. NO. 16844
SUPERSEDES DWG. NO.	SHEET
A5-340	2 OF 7
DRAWN BY [unclear]	WDS-210