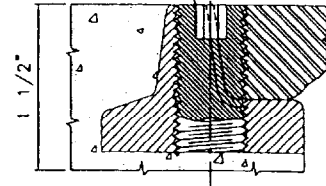
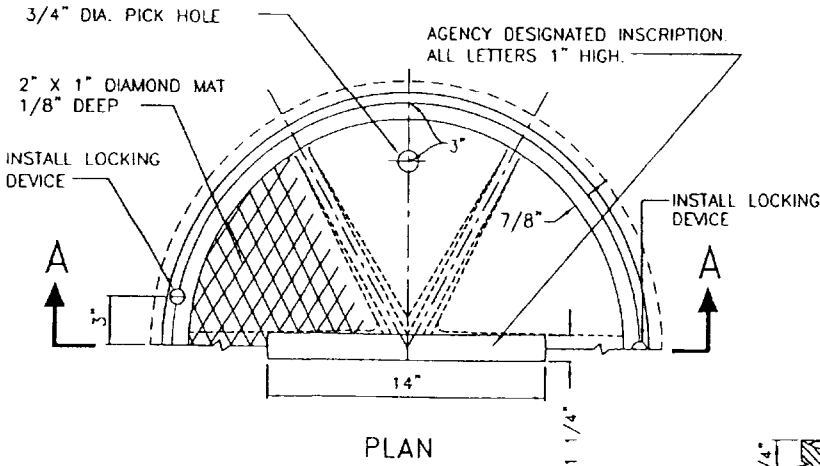
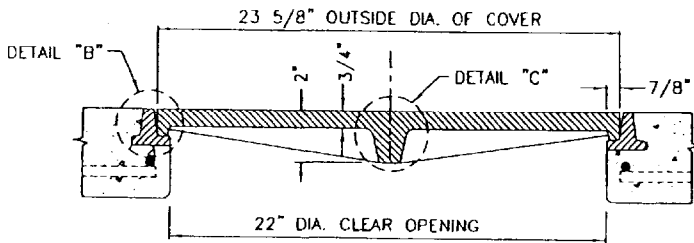


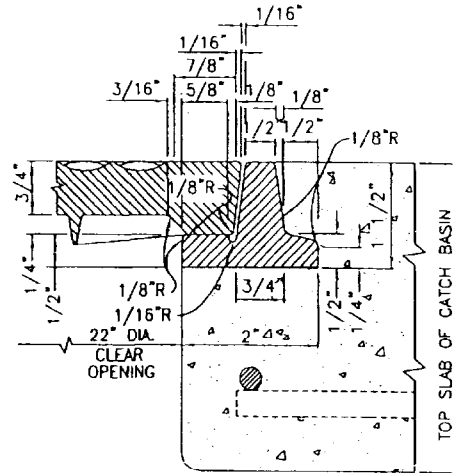
DRILL AND TAP HOLE AND INSTALL 3/4" X 1 1/4" STAINLESS STEEL SOCKET SET SCREW WITH 3/8" RECESSED HEX HOLE. ALL THREADS TO BE NC.



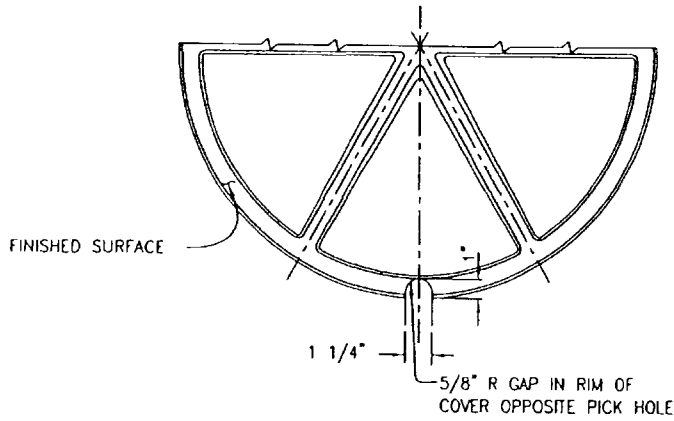
LOCKING DEVICE



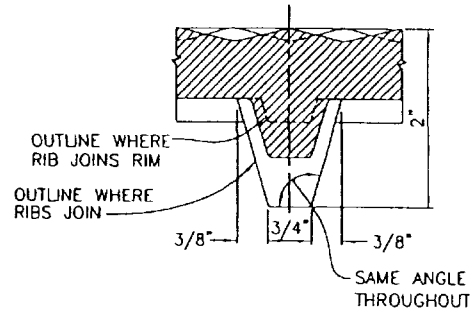
SECTION A-A



DETAIL "B"



BOTTOM OF MANHOLE COVER



DETAIL "C"

NOT TO SCALE



APPROVED BY: *Ricardo Sandoval* 10.18.06
 CITY ENGINEER DATE
RICARDO SANDOVAL
 REVIEWED BY: *[Signature]*
 DATE OF LAST REVISION: _____

CITY OF FONTANA
**CATCH BASIN
 MANHOLE FRAME AND COVER**
 07/10/06
 STD. PLAN NO. 3008 SHT 1 OF 2

NOTES:

1. THE CAST IRON USED SHALL CONFORM WITH ASTM A-48M CLASS 35B.
2. THE FRAME AND COVER SHALL BE COATED WITH ASPHALTUM OR BITAMINOUS PAINT AFTER TESTING AND INSPECTION.
3. FOUNDRY IDENTIFYING MARK, HEAT AND DATE SHALL BE CAST ON THE BOTTOM OF THE COVER AND ON THE INSIDE OF THE FRAME.
4. IMPORTED COVERS AND FRAMES SHALL HAVE THE COUNTRY OF ORIGIN MARKING IN COMPLIANCE WITH FEDERAL REGULATIONS.
5. WEIGHT OF FRAME SHALL BE 30 POUNDS. WEIGHT OF COVER SHALL BE 85 POUNDS. ACTUAL WEIGHTS SHALL BE WITHIN A RANGE OF 95% TO 110%.
6. THE MANHOLE FRAME AND COVER SHALL BE INSPECTED BY THE ENGINEER PRIOR TO SHIPMENT TO THE JOB SITE. ACCEPTANCE WILL BE INDICATED BY THE AGENCY'S MARK.
7. THE PROOF-LOAD FOR TEST METHOD B OF THE STANDARD SPECIFICATIONS IS 28,600 POUNDS.
8. DIMENSIONS SHOWN ON THIS PLAN ARE NOT EXACT EQUAL VALUES.



APPROVED BY:

Ricardo Sandoval 10-18-06
 CITY ENGINEER DATE

RICARDO SANDOVAL

REVIEWED BY: *DL*

DATE OF LAST REVISION: _____

CITY OF FONTANA

CATCH BASIN
 MANHOLE FRAME AND COVER

04/07/06

STD. PLAN NO. 3008

SHT 2 OF 2