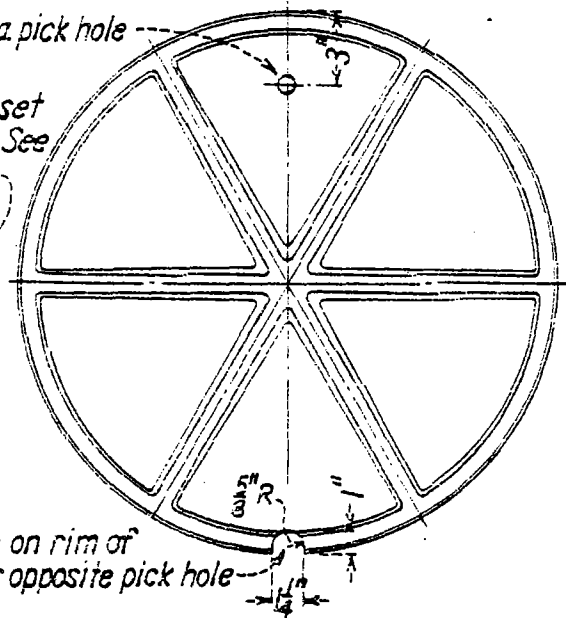
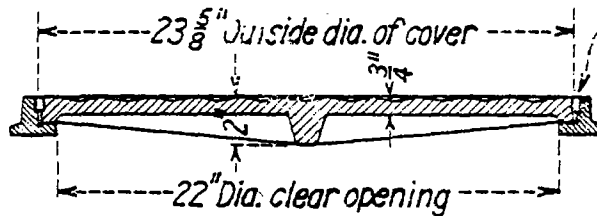


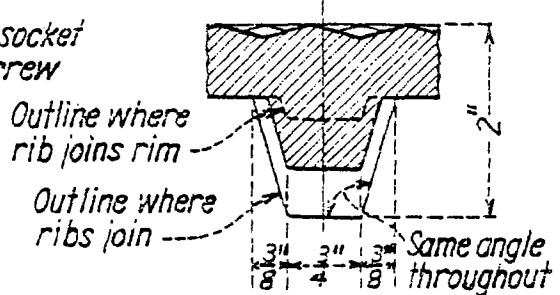
TOP OF MANHOLE FRAME & COVER



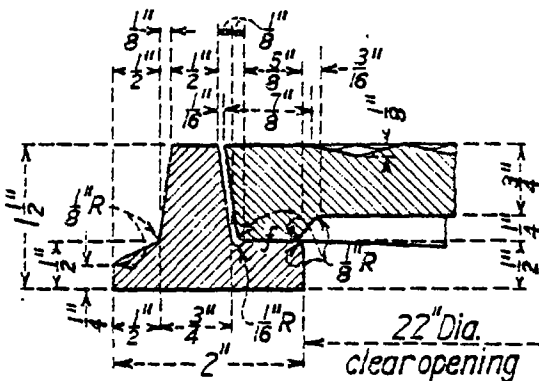
BOTTOM OF MANHOLE COVER



CROSS SECTION THRU FRAME & COVER



CROSS SECTION THRU RIB AT MID RADIUS



CROSS SECTION THRU RIM

### NOTES

- Frame and cover shall be gray cast iron conforming to the latest A.S.T.M. standard A 48, class 30 or better.
- Install two 3/4" x 3/4" Allen socket set screws, 90° to pick hole, in holes drilled and tapped 1" in depth
- All parts of the frame and cover except machined surfaces shall be coated with asphaltum paint.
- Frame and cover shall be tested for accuracy of fit and shall be marked in sets before delivery.
- △ Frame and cover shall be positioned such that the identification lettering is parallel with and readable from the street-side of the curb.

| REFERENCES               |         | REVISIONS  |   | LOS ANGELES COUNTY FLOOD CONTROL DISTRICT |                             |
|--------------------------|---------|--|---|---|-----------------------------|
| MARK                     | DATE    | DESCRIPTION  |   |   |                             |
| ◇                        | 6-29-54 | Revised all notes  | <b>MANHOLE FRAME AND COVER FOR CATCH BASINS</b><br><br>APPROVED BY <i>[Signature]</i> 3/27/49<br>CHIEF ENGINEER |   |                             |
| △                        | 6-19-68 | Added note   |   |   |                             |
| SUBMITTED BY<br>M. C. T. |         | RECOMMENDED BY<br><i>[Signature]</i><br>DIVISION ENGINEER (DESIGN) |   | DATE<br>JAN 1949                          | NO. U2-D156<br>SHEET 1 OF 1 |